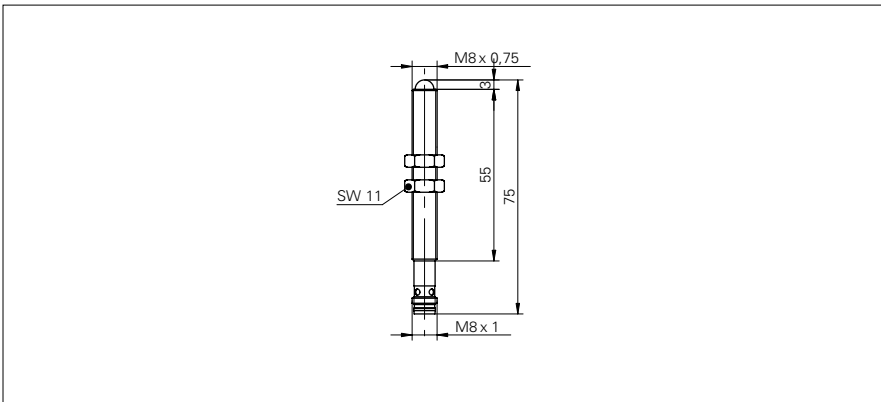


**Through beam sensors**

**FSAM 08D9002/S35**

**dimension drawing**



**general data**

type	through beam sensor
emitter / receiver	emitter
light source	pulsed infrared diode
actual range $S_b$	2,5 m
nominal range $S_n$	3 m
wave length	880 nm

**electrical data**

voltage supply range +Vs	10 ... 30 VDC
current consumption max. (no load)	48 mA
current consumption typ.	17 mA
reverse polarity protection	yes

**mechanical data**

width / diameter	8 mm
height / length	75,5 mm
type	cylindrical threaded
housing material	brass nickel plated
front (optics)	PC
connection types	connector M8, 3 pin

**ambient conditions**

operating temperature	-25 ... +65 °C
protection class	IP 65

**photo**



**connection diagram**

