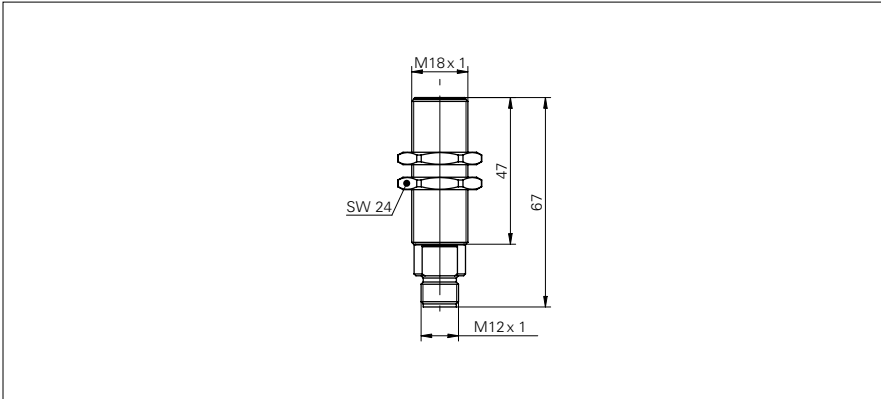


Through beam sensors

FSAM 18D9651/S14

dimension drawing



general data

type	through beam sensor
emitter / receiver	emitter
light source	pulsed infrared diode
actual range S_b	16 m
nominal range S_n	20 m
wave length	880 nm

electrical data

voltage supply range +Vs	10 ... 30 VDC
current consumption max. (no load)	40 mA
current consumption typ.	30 mA
reverse polarity protection	yes

mechanical data

width / diameter	18 mm
height / length	67 mm
type	cylindrical threaded
housing material	brass nickel plated / PC
front (optics)	PC
connection types	connector M12 4 pin

ambient conditions

operating temperature	-25 ... +55 °C
protection class	IP 67

photo



connection diagram

