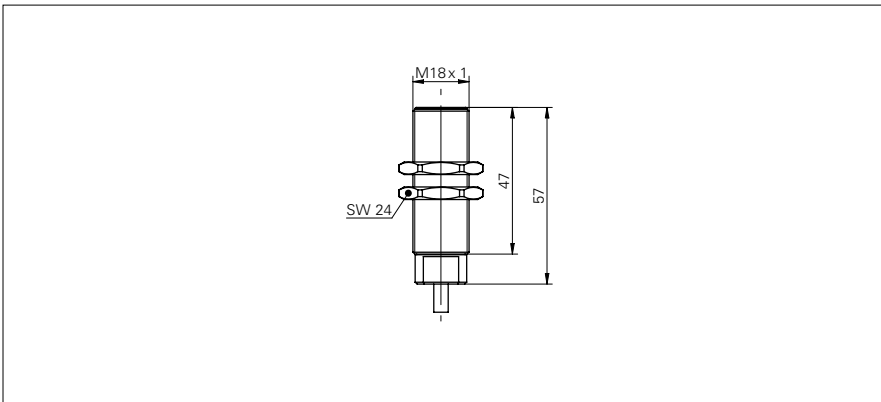


Through beam sensors

FSAM 18D9651

dimension drawing



general data

| | |
|---------------------|-----------------------|
| type | through beam sensor |
| emitter / receiver | emitter |
| light source | pulsed infrared diode |
| actual range S_b | 16 m |
| nominal range S_n | 20 m |
| wave length | 880 nm |

electrical data

| | |
|------------------------------------|---------------|
| voltage supply range +Vs | 10 ... 30 VDC |
| current consumption max. (no load) | 40 mA |
| current consumption typ. | 30 mA |
| reverse polarity protection | yes |

mechanical data

| | |
|------------------|--------------------------|
| width / diameter | 18 mm |
| height / length | 57 mm |
| type | cylindrical threaded |
| housing material | brass nickel plated / PC |
| front (optics) | PC |
| connection types | cable 3 pin, 2 m |

ambient conditions

| | |
|-----------------------|----------------|
| operating temperature | -25 ... +55 °C |
| protection class | IP 67 |

photo



connection diagram

