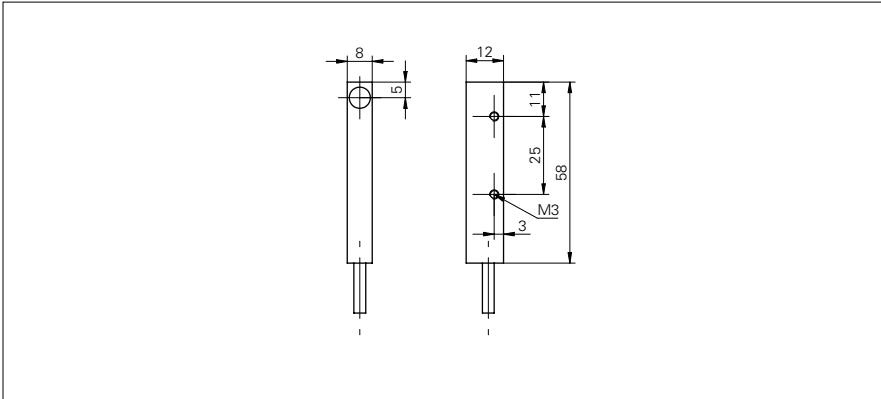


**Through beam sensors**

**FSDM 08D9001**

**dimension drawing**



**general data**

type	through beam sensor
emitter / receiver	emitter
light source	pulsed infrared diode
actual range $S_b$	0,7 m
nominal range $S_n$	1 m
wave length	880 nm

**electrical data**

voltage supply range +Vs	10 ... 30 VDC
current consumption max. (no load)	48 mA
current consumption typ.	17 mA
reverse polarity protection	yes

**mechanical data**

width / diameter	8 mm
height / length	58 mm
depth	12 mm
type	rectangular
housing material	aluminum anodized
front (optics)	PC
connection types	cable 3 pin, 2 m

**ambient conditions**

operating temperature	-25 ... +65 °C
protection class	IP 65

**photo**



**connection diagram**

