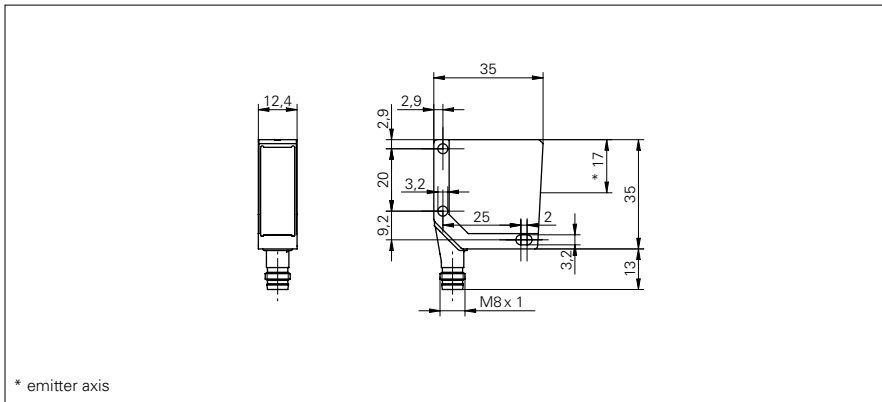


Through beam sensors

FSDM 12D9601/S35A

dimension drawing



general data

type	through beam sensor
emitter / receiver	emitter
light source	pulsed red LED
actual range Sb	6 m
nominal range Sn	7,5 m
wave length	660 nm

electrical data

voltage supply range +Vs	10 ... 30 VDC
current consumption max. (no load)	30 mA
current consumption typ.	18 mA
reverse polarity protection	yes

mechanical data

width / diameter	12,4 mm
height / length	35 mm
depth	35 mm
type	rectangular
housing material	die-cast zinc
front (optics)	PMMA
connection types	connector M8 4 pin

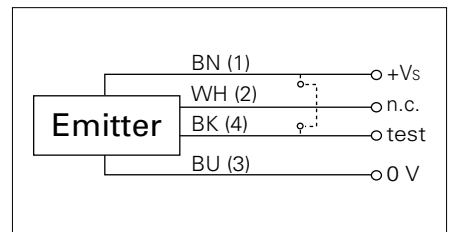
ambient conditions

operating temperature	-25 ... +65 °C
protection class	IP 67

photo



connection diagram



• emitter without LED