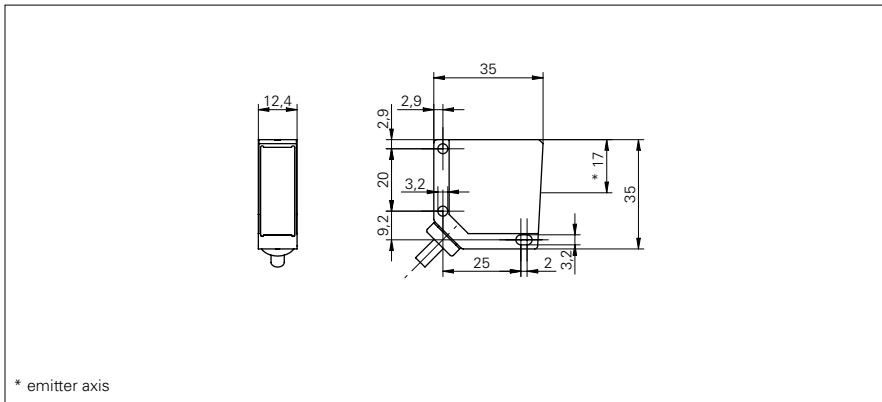


**Through beam sensors**

**FSDM 12D9601**

**dimension drawing**



**general data**

type	through beam sensor
emitter / receiver	emitter
light source	pulsed red LED
actual range $S_b$	6 m
nominal range $S_n$	7,5 m
wave length	660 nm

**electrical data**

voltage supply range +Vs	10 ... 30 VDC
current consumption max. (no load)	30 mA
current consumption typ.	18 mA
reverse polarity protection	yes

**mechanical data**

width / diameter	12,4 mm
height / length	35 mm
depth	35 mm
type	rectangular
housing material	die-cast zinc
front (optics)	PMMA
connection types	cable 3 pin, 2 m

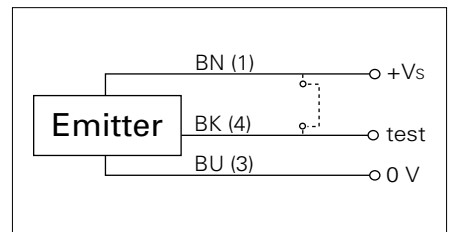
**ambient conditions**

operating temperature	-25 ... +65 °C
protection class	IP 67

**photo**



**connection diagram**



• emitter without LED