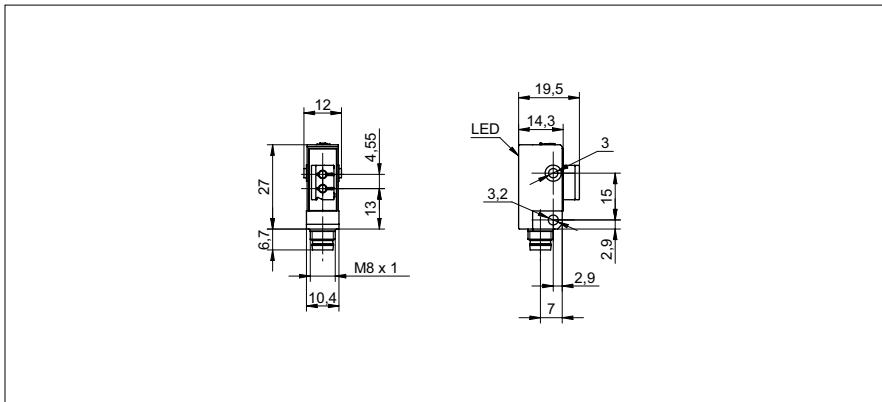


Fiber optic sensors & cables

FVDK 10P5101/S35A

dimension drawing



general data

actual range S_b (FSE 200C1002)	160 mm
sensing distance T_w (FUE 200C1003)	45 mm
light source	pulsed red LED
light indicator	LED yellow
alignment / soiled lens indicator	flashing light indicator
adjustment	potentiometer, 270°
wave length	660 nm
suppression of reciprocal influence	yes

electrical data

response time / release time	< 1 ms
voltage supply range +Vs	10 ... 30 VDC
current consumption max. (no load)	30 mA
current consumption typ.	20 mA
voltage drop V_d	< 1,8 VDC
output function	light / dark operate
output circuit	PNP
output current	< 100 mA
short circuit protection	yes
reverse polarity protection	yes

mechanical data

width / diameter	10,4 mm
height / length	27 mm
depth	14 mm
type	rectangular
housing material	plastic (ASA)
connection types	connector M8

ambient conditions

operating temperature	-25 ... +55 °C
protection class	IP 40

photo



connection diagram

