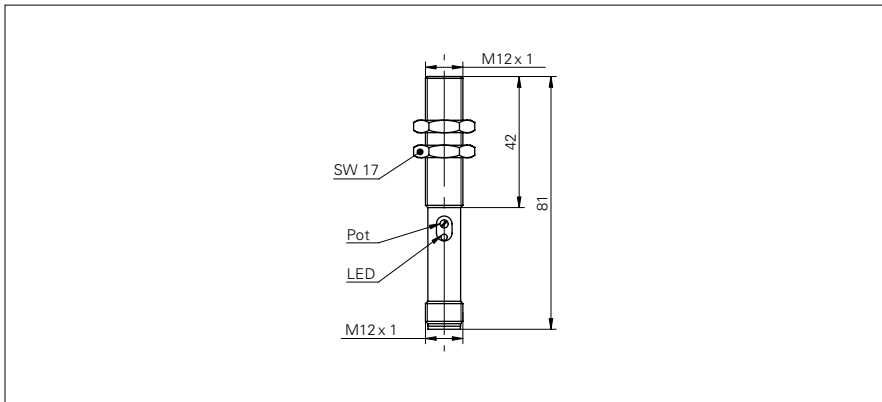


# Diffuse sensors with intensity difference

## FZAM 12N1104/S14

**dimension drawing**



**general data**

type	intensity difference
light source	pulsed infrared diode
sensing distance Tw	30 ... 200 mm
alignment / soiled lens indicator	flashing light indicator
light indicator	LED yellow
sensitivity adjustment	potentiometer, 270°
wave length	880 nm
suppression of reciprocal influence	yes

**electrical data**

response time / release time	< 1 ms
voltage supply range +Vs	10 ... 30 VDC
current consumption max. (no load)	42 mA
current consumption typ.	24 mA
voltage drop Vd	< 1,8 VDC
output function	light operate
output circuit	NPN
output current	< 200 mA
short circuit protection	yes
reverse polarity protection	yes

**mechanical data**

width / diameter	12 mm
height / length	80 mm
type	cylindrical threaded
housing material	brass nickel plated
front (optics)	PC
connection types	connector M12 4 pin

**ambient conditions**

operating temperature	-25 ... +65 °C
protection class	IP 65

**photo**



**connection diagram**

