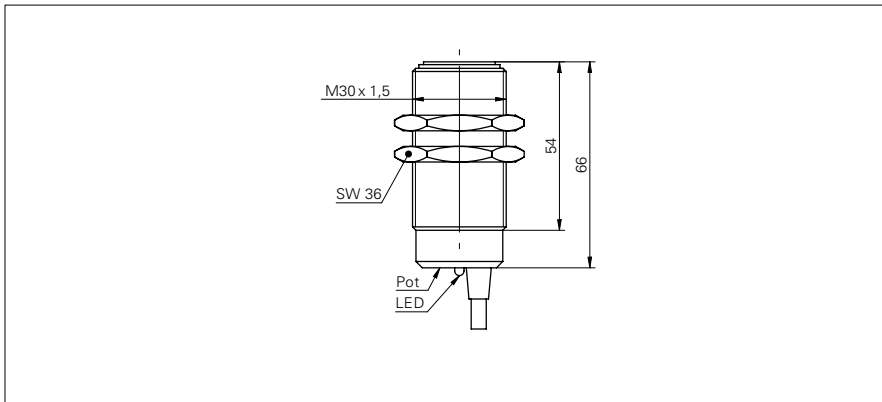


Diffuse sensors with intensity difference

FZAM 30P5003

dimension drawing



general data

| | |
|-----------------------------------|--------------------------|
| type | intensity difference |
| light source | pulsed infrared diode |
| sensing distance Tw | 100 ... 700 mm |
| alignment / soiled lens indicator | flashing light indicator |
| light indicator | LED yellow |
| sensitivity adjustment | potentiometer, 15 turn |
| wave length | 880 nm |

electrical data

| | |
|------------------------------------|----------------------|
| response time / release time | < 0,25 ms |
| voltage supply range +Vs | 10 ... 30 VDC |
| current consumption max. (no load) | 60 mA |
| current consumption typ. | 50 mA |
| voltage drop Vd | < 2,5 VDC |
| output function | light / dark operate |
| output circuit | PNP |
| output current | < 100 mA |
| short circuit protection | yes |
| reverse polarity protection | yes |

mechanical data

| | |
|------------------|----------------------|
| width / diameter | 30 mm |
| height / length | 66 mm |
| type | cylindrical threaded |
| housing material | brass nickel plated |
| front (optics) | PC |
| connection types | cable 4 pin, 2 m |

ambient conditions

| | |
|-----------------------|--------------|
| operating temperature | 0 ... +65 °C |
| protection class | IP 65 |

photo



connection diagram

