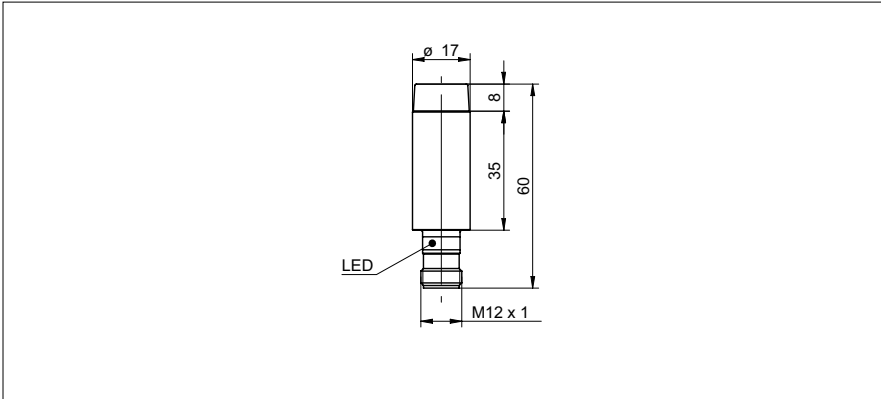


Inductive proximity switch

IFBR 17P33T1/S14L-9

dimension drawing



general data

| | |
|--------------------------------|--|
| mounting type | non-flush |
| special type | hygienic design |
| nominal sensing distance S_n | 12 mm |
| hysteresis | 2 ... 15 % of S_n |
| output indicator | LED red |
| approvals/certificates | Ecolab EHEDG REGULATION (EC) 1935/2004 REGULATION (EC) 2023/2006 REGULATION (EU) 1282/2011 FDA 21 CFR § 175.300 FDA 21 CFR § 177.2600 FCN 742 |

electrical data

| | |
|--|-------------------------|
| switching frequency | < 500 Hz |
| voltage supply range +Vs | 10 ... 30 VDC |
| current consumption max. (no load) | 10 mA |
| output circuit | PNP break function (NC) |
| voltage drop V_d | < 2 VDC |
| output current | < 200 mA |
| output current (at cleaning temperature) | < 100 mA |
| short circuit protection | yes |
| reverse polarity protection | yes |

mechanical data

| | |
|-------------------------|-----------------------------------|
| type | cylindrical smooth |
| material (sensing face) | LCP |
| housing material | stainless steel 1.4404 (V4A); LSR |
| dimension | 17 mm |
| housing length | 60 mm |
| connection types | connector M12 |

ambient conditions

| | |
|-----------------------|-----------------------------|
| operating temperature | -40 ... +80 °C |
| cleaning temperature | 80 ... +100 °C (30 min/day) |
| protection class | IP 68/69K & proTect+ |

photo



connection diagram



- Sensor compliant with various food regulations (see approvals)
- LSR = Liquid Silicon Rubber