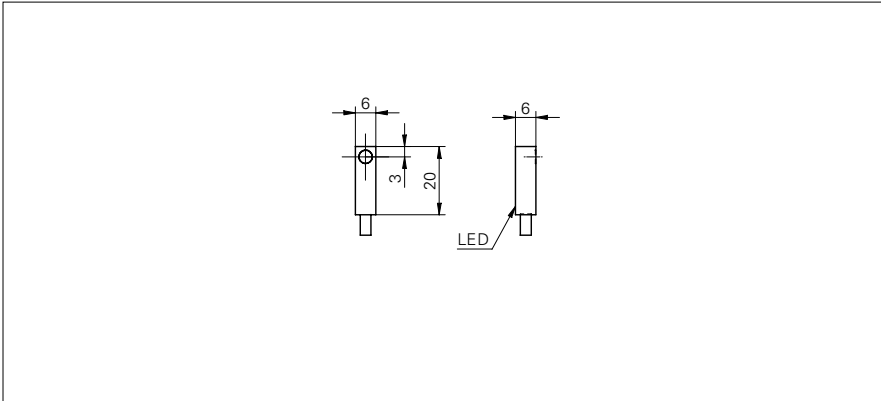


# Inductive proximity switch

# IFFM 06N35A3/O1L

### dimension drawing



### general data

mounting type	flush
nominal sensing distance $S_n$	1 mm
hysteresis	2 ... 20 % of $S_r$
output indicator	LED red (backside)

### electrical data

switching frequency	< 5 kHz
voltage supply range +Vs	10 ... 30 VDC
current consumption max. (no load)	12 mA
output circuit	NPN break function (NC)
voltage drop Vd	< 2 VDC
output current	< 100 mA
short circuit protection	yes
reverse polarity protection	yes

### mechanical data

type	rectangular
material (sensing face)	LCP
housing material	brass nickel plated
dimension	6 mm
housing length	20 mm
connection types	cable, 2 m

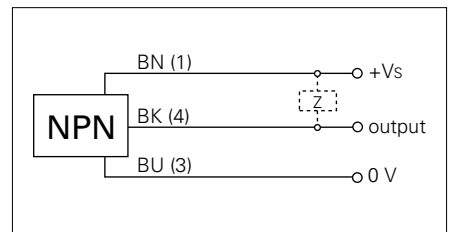
### ambient conditions

operating temperature	-25 ... +75 °C
protection class	IP 67

### photo



### connection diagram



- short compact housing
- PUR cable