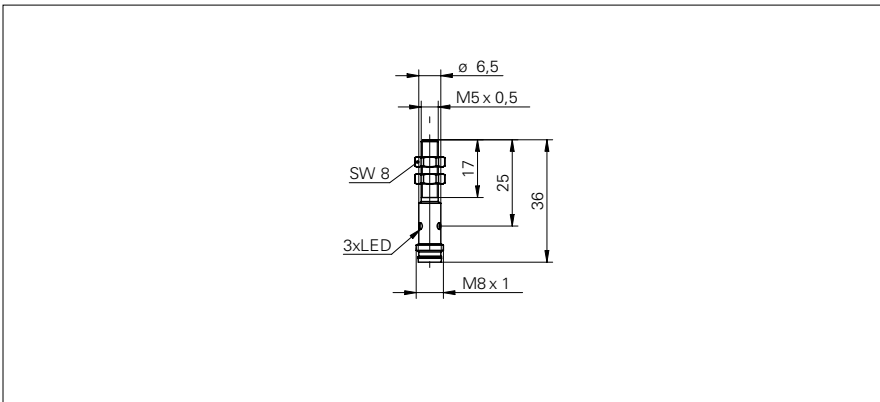


**Inductive proximity switch**

**IFRM 05P17A3/S35L**

**dimension drawing**



**general data**

|                                |                     |
|--------------------------------|---------------------|
| mounting type                  | flush               |
| nominal sensing distance $S_n$ | 1,6 mm              |
| hysteresis                     | 2 ... 20 % of $S_r$ |
| output indicator               | 3 port LED red      |

**electrical data**

|                                    |                        |
|------------------------------------|------------------------|
| switching frequency                | < 3 kHz                |
| voltage supply range +Vs           | 10 ... 30 VDC          |
| current consumption max. (no load) | 12 mA                  |
| output circuit                     | PNP make function (NO) |
| voltage drop $V_d$                 | < 2 VDC                |
| output current                     | < 100 mA               |
| short circuit protection           | yes                    |
| reverse polarity protection        | yes                    |

**mechanical data**

|                         |                      |
|-------------------------|----------------------|
| type                    | cylindrical threaded |
| material (sensing face) | LCP                  |
| housing material        | stainless steel      |
| dimension               | 5 mm                 |
| housing length          | 36 mm                |
| connection types        | connector M8         |

**ambient conditions**

|                       |                |
|-----------------------|----------------|
| operating temperature | -25 ... +75 °C |
| protection class      | IP 67          |

**photo**



**connection diagram**



- M8 x 1 quick disconnect
- 3 port LED