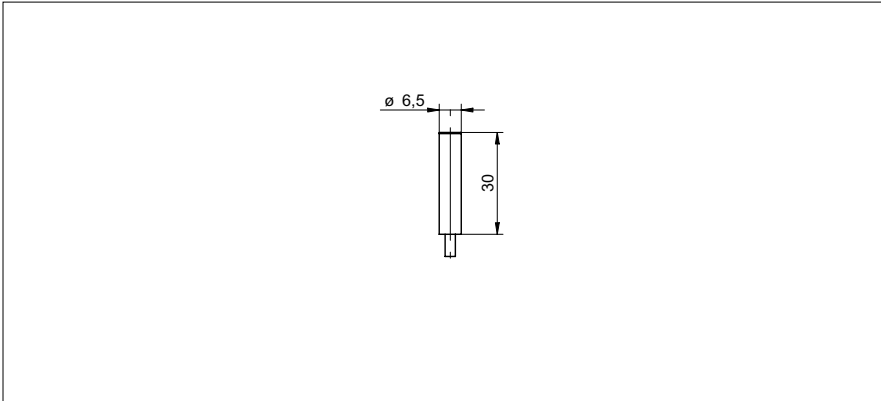


Inductive sensors special versions

IFRM 06N1707

dimension drawing



general data

mounting type	flush
special type	high temperature
nominal sensing distance S_n	2 mm
temperature drift	$\pm 10\%$ (-25 ... +75 °C) - 10 % / + 15 % (-25 ... +100 °C)
hysteresis	3 ... 20 % of S_r

electrical data

switching frequency	< 5 kHz
voltage supply range +Vs	10 ... 30 VDC
current consumption max. (no load)	12 mA
output circuit	NPN make function (NO)
voltage drop Vd	< 2 VDC
output current	< 100 mA
short circuit protection	yes
reverse polarity protection	yes

mechanical data

type	cylindrical smooth
material (sensing face)	PBT
housing material	stainless steel
dimension	6,5 mm
housing length	30 mm
connection types	cable FEP, 1 m

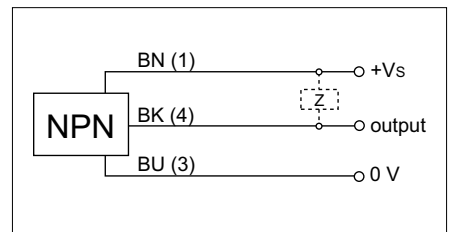
ambient conditions

operating temperature	-25 ... +100 °C
protection class	IP 67

photo



connection diagram



• with integral electronics of up to +100 °C