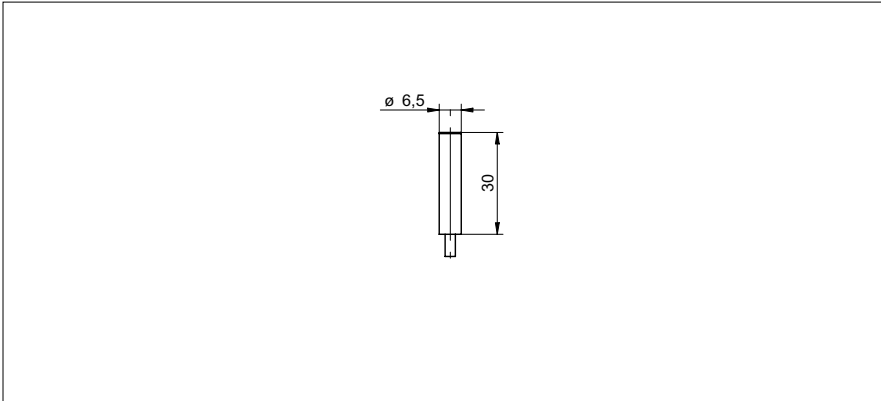


**Inductive sensors special versions**

**IFRM 06P1707**

**dimension drawing**



**general data**

mounting type	flush
special type	high temperature
nominal sensing distance $S_n$	2 mm
temperature drift	$\pm 10\%$ (-25 ... +75 °C) - 10 % / + 15 % (-25 ... +100 °C)
hysteresis	3 ... 20 % of $S_r$

**electrical data**

switching frequency	< 5 kHz
voltage supply range +Vs	10 ... 30 VDC
current consumption max. (no load)	12 mA
output circuit	PNP make function (NO)
voltage drop Vd	< 2 VDC
output current	< 100 mA
short circuit protection	yes
reverse polarity protection	yes

**mechanical data**

type	cylindrical smooth
material (sensing face)	PBT
housing material	stainless steel
dimension	6,5 mm
housing length	30 mm
connection types	cable FEP, 1 m

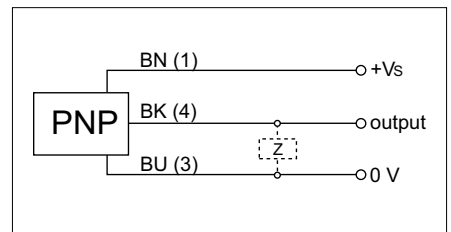
**ambient conditions**

operating temperature	-25 ... +100 °C
protection class	IP 67

**photo**



**connection diagram**



• with integral electronics of up to +100 °C