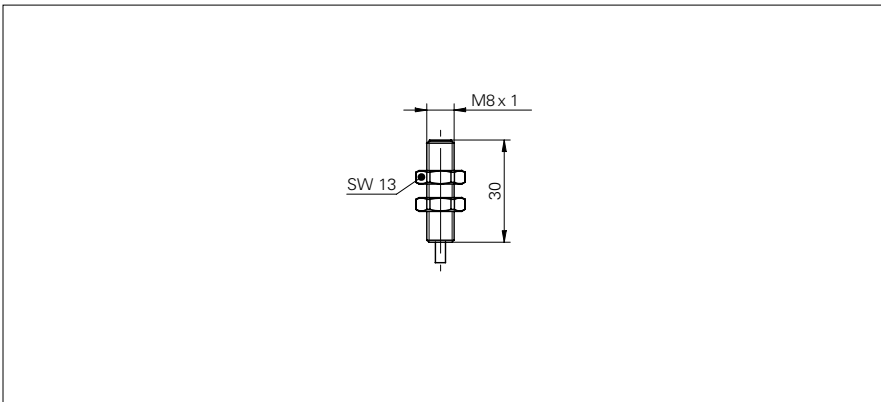


Inductive sensors special versions

IFRM 08N1707

dimension drawing



general data

mounting type	flush
special type	high temperature
nominal sensing distance S_n	2 mm
temperature drift	$\pm 10\%$ (-25 ... +75 °C) - 10 % / + 15 % (-25 ... +100 °C)
hysteresis	3 ... 20 % of S_r

electrical data

switching frequency	< 5 kHz
voltage supply range +Vs	12 ... 30 VDC
current consumption max. (no load)	12 mA
output circuit	NPN make function (NO)
voltage drop Vd	< 3 VDC
output current	< 100 mA
short circuit protection	yes
reverse polarity protection	yes

mechanical data

type	cylindrical threaded
housing material	stainless steel
dimension	8 mm
housing length	30 mm
connection types	cable FEP, 1 m

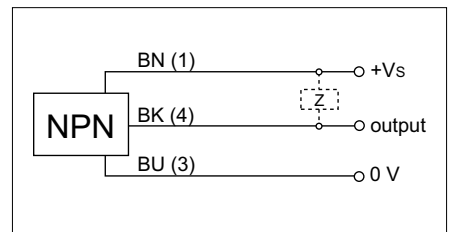
ambient conditions

operating temperature	-25 ... +100 °C
protection class	IP 67

photo



connection diagram



• with integral electronics of up to +100 °C