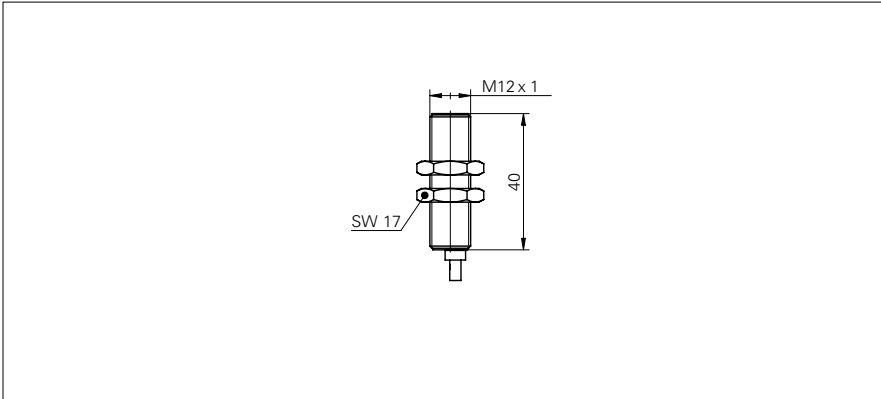


Inductive sensors special versions

IFRM 12N1707

dimension drawing



general data

mounting type	flush
special type	high temperature
nominal sensing distance S_n	4 mm
hysteresis	3 ... 20 % of S_r

electrical data

switching frequency	< 2 kHz
voltage supply range +Vs	12 ... 30 VDC
current consumption max. (no load)	12 mA
output circuit	NPN make function (NO)
voltage drop V_d	< 3 VDC
output current	< 100 mA
short circuit protection	yes
reverse polarity protection	yes

mechanical data

type	cylindrical threaded
housing material	brass nickel plated
dimension	12 mm
housing length	40 mm
connection types	cable FEP, 1 m

ambient conditions

operating temperature	-25 ... +100 °C
protection class	IP 67

photo



connection diagram



• with integral electronics of up to +100 °C