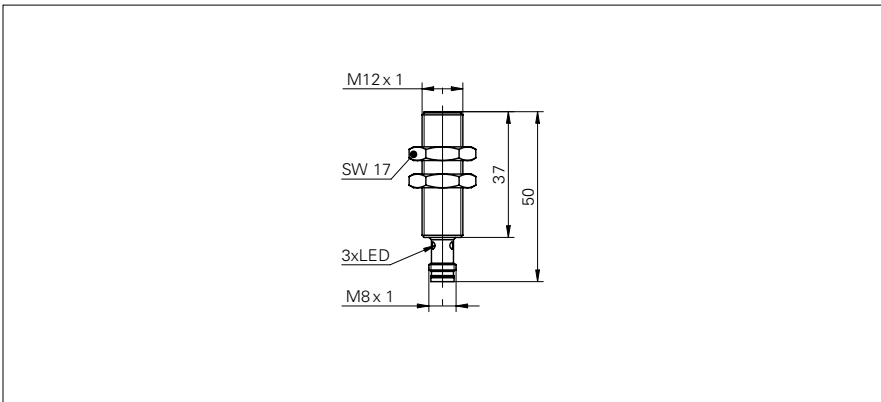


# Inductive proximity switch

# IFRM 12P3701/S35L

**dimension drawing**



**general data**

mounting type	flush
nominal sensing distance $S_n$	4 mm
hysteresis	3 ... 25 % of $S_r$
output indicator	3 port LED red

**electrical data**

switching frequency	< 2 kHz
voltage supply range +Vs	12 ... 30 VDC
current consumption max. (no load)	18 mA
output circuit	PNP break function (NC)
voltage drop $V_d$	< 3 VDC
output current	< 200 mA
short circuit protection	yes
reverse polarity protection	yes

**mechanical data**

type	cylindrical threaded
material (sensing face)	PBT
housing material	brass nickel plated
dimension	12 mm
housing length	50 mm
connection types	connector M8

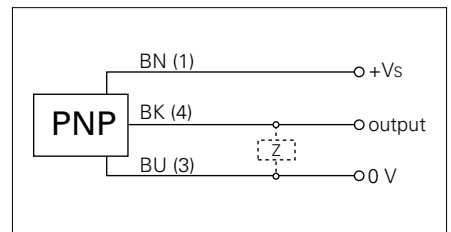
**ambient conditions**

operating temperature	-25 ... +75 °C
protection class	IP 67

**photo**



**connection diagram**



- M8 x 1 quick disconnect