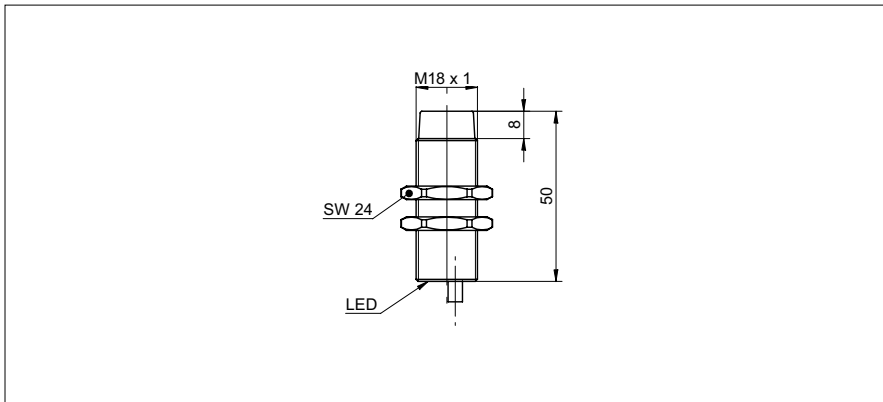


**Inductive proximity switch**

**IFRM 18N13T1/PL**

**dimension drawing**



**general data**

mounting type	non-flush
special type	Outdoor design
nominal sensing distance $S_n$	12 mm
hysteresis	2 ... 15 % of $S_r$
output indicator	LED red

**electrical data**

switching frequency	< 500 Hz
voltage supply range +Vs	10 ... 30 VDC
current consumption max. (no load)	10 mA
output circuit	NPN make function (NO)
voltage drop Vd	< 2 VDC
output current	< 200 mA
short circuit protection	yes
reverse polarity protection	yes

**mechanical data**

type	cylindrical threaded
material (sensing face)	PBT
housing material	brass nickel plated
dimension	18 mm
housing length	50 mm
connection types	cable PUR 3 x 0,25, 2 m

**ambient conditions**

operating temperature	-40 ... +80 °C
protection class	IP 67

**photo**



**connection diagram**

