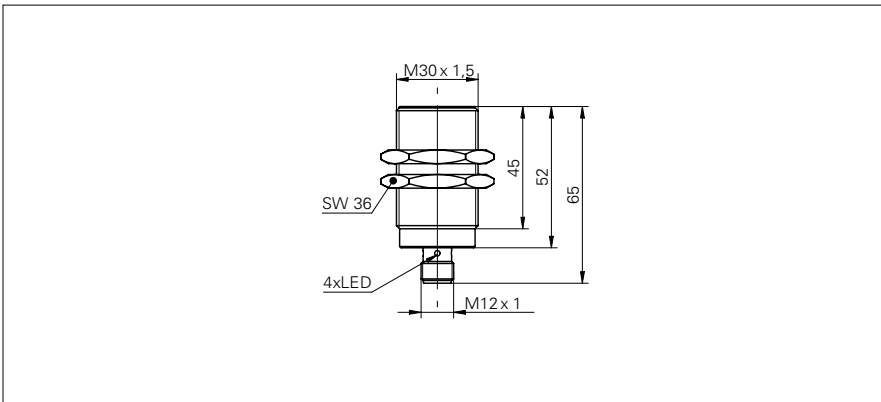


Inductive proximity switch

IFRM 30P1501/S14L

dimension drawing



general data

| | |
|--------------------------------|---------------------|
| mounting type | flush |
| nominal sensing distance S_n | 10 mm |
| hysteresis | 3 ... 20 % of S_r |
| output indicator | 4 port LED red |

electrical data

| | |
|------------------------------------|------------------------|
| switching frequency | < 500 Hz |
| voltage supply range +Vs | 10 ... 50 VDC |
| current consumption max. (no load) | 10 mA |
| output circuit | PNP make function (NO) |
| voltage drop V_d | < 3 VDC |
| output current | < 200 mA |
| short circuit protection | yes |
| reverse polarity protection | yes |

mechanical data

| | |
|-------------------------|----------------------|
| type | cylindrical threaded |
| material (sensing face) | PBT |
| housing material | brass nickel plated |
| dimension | 30 mm |
| housing length | 65 mm |
| connection types | connector M12 |

ambient conditions

| | |
|-----------------------|----------------|
| operating temperature | -25 ... +75 °C |
| protection class | IP 67 |

photo



connection diagram

