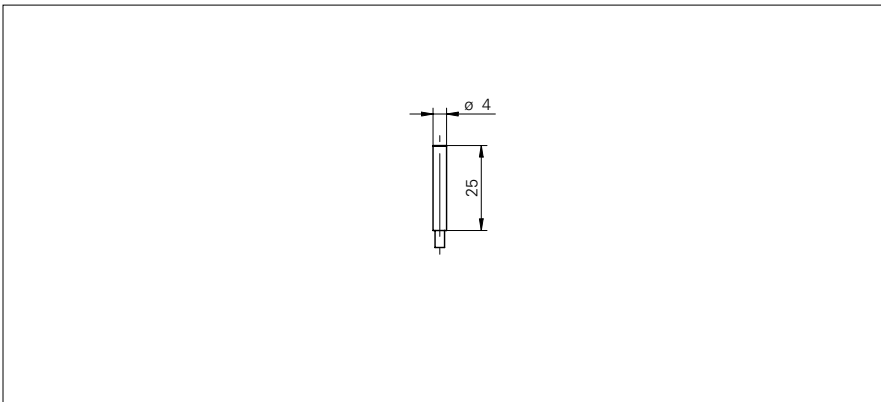


Inductive sensors NAMUR

IFR 04.82.05

dimension drawing



general data

mounting type	flush
nominal sensing distance S_n	0,8 mm

electrical data

switching frequency	< 5 kHz
normal operating voltage	8,2 VDC
voltage supply range +Vs	6 ... 30 VDC
current consumption undamped	> 4 mA
current consumption damped	< 1 mA
current consumption max. (no load)	10 mA
output circuit	NAMUR
residual ripple	< 10 % Vs

mechanical data

type	cylindrical smooth
housing material	stainless steel
dimension	4 mm
housing length	25 mm
connection types	cable, 2 m

ambient conditions

operating temperature	-25 ... +75 °C
protection class	IP 67

photo



connection diagram

