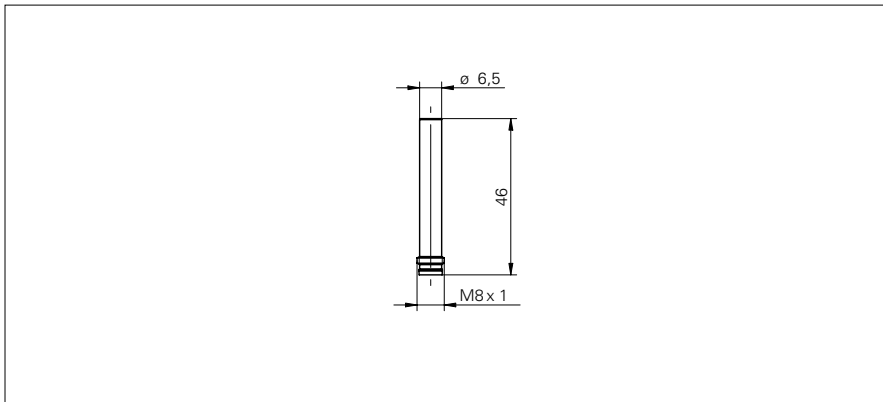


Inductive distance measuring sensors

IR06.D03S-11141032

dimension drawing



general data

mounting type	quasi-flush
measuring distance Sd	0 ... 3 mm
resolution	< 0,001 mm (stat.) < 0,01 mm (dynam.)
repeat accuracy	< 0,02 mm
linearity error	± 120 µm (S = 0,75 ... 2,25 mm) ± 360 µm (S = 0 ... 3 mm)
temperature drift	± 4 % (Full Scale; 0 ... +60 °C) ± 6 % (Full Scale; -10 ... +70 °C)

electrical data

response time (factory characteristic)	< 0,5 ms
voltage supply range +Vs	6 ... 36 VDC
current consumption max. (no load)	12 mA
output circuit	current output
output signal	0 ... 10 mA
load resistance	< 100 Ohm/V * Vs - 400 Ohm > 500 Ohm (Vs = 30 ... 36 VDC)
short circuit protection	yes
reverse polarity protection	yes

mechanical data

type	cylindrical smooth
housing material	stainless steel
dimension	6,5 mm
housing length	46 mm
connection types	connector M8

ambient conditions

operating temperature	-10 ... +70 °C
protection class	IP 67

photo



connection diagram

