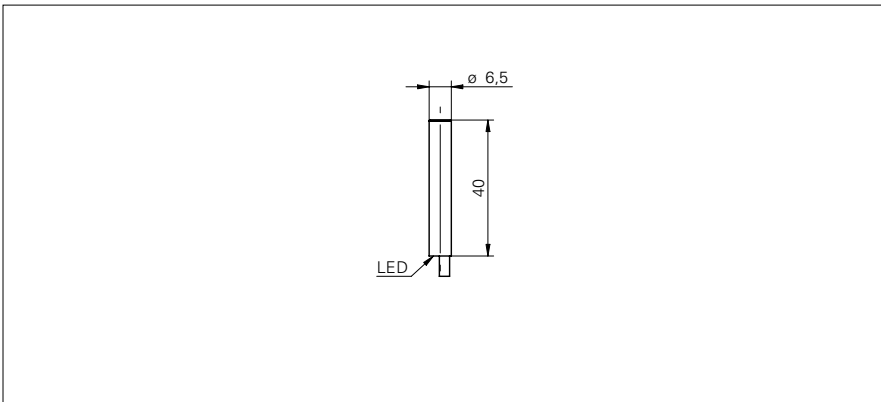


# Inductive proximity switch

**IR06.P02F-11119424**

**dimension drawing**



**general data**

mounting type	flush
special type	factor 1
nominal sensing distance $S_n$	2 mm
hysteresis	3 ... 20 % of $S_r$
output indicator	LED red

**electrical data**

switching frequency	< 3 kHz
voltage supply range +Vs	5 ... 36 VDC
current consumption max. (no load)	12 mA
output circuit	PNP break function (NC)
voltage drop Vd	< 2 VDC
output current	< 200 mA
short circuit protection	yes
reverse polarity protection	yes

**mechanical data**

type	cylindrical smooth
material (sensing face)	PBT
housing material	stainless steel
dimension	6,5 mm
housing length	40 mm
connection types	cable, 2 m

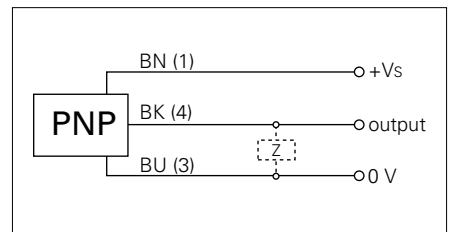
**ambient conditions**

operating temperature	-25 ... +75 °C
storage temperature	-40 ... +85 °C
protection class	IP 67

**photo**



**connection diagram**



- robust steel housings
- high switching frequency
- same sensing distance on all metals (no reduction factor)