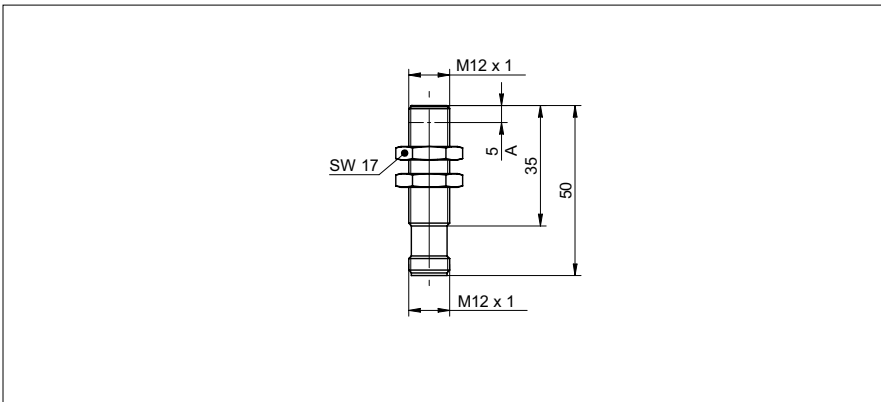


# Inductive distance measuring sensors

**IR12.D04S-11123876**

**dimension drawing**



**general data**

mounting type	flush
measuring distance Sd	0 ... 4 mm
resolution	< 0,005 mm (stat.) < 0,01 mm (dynam.)
repeat accuracy	< 0,01 mm
linearity error	± 80 µm (S = 1 ... 3 mm) ± 280 µm (S = 0 ... 4 mm)
temperature drift	± 2 % (Full Scale; 0 ... +60 °C) ± 3 % (Full Scale; -25 ... +75 °C)

**electrical data**

response time (factory characteristic)	< 1 ms
voltage supply range +Vs	12 ... 36 VDC
current consumption max. (no load)	10 mA
output circuit	voltage output
output signal	0 ... 10 VDC
load resistance	> 4000 Ohm
short circuit protection	yes
reverse polarity protection	yes

**mechanical data**

type	cylindrical threaded
housing material	brass nickel plated
dimension	12 mm
housing length	50 mm
connection types	connector M12
tightening torque max.	15 Nm (A: 10 Nm)

**ambient conditions**

operating temperature	-25 ... +75 °C
protection class	IP 67

**photo**



**connection diagram**

