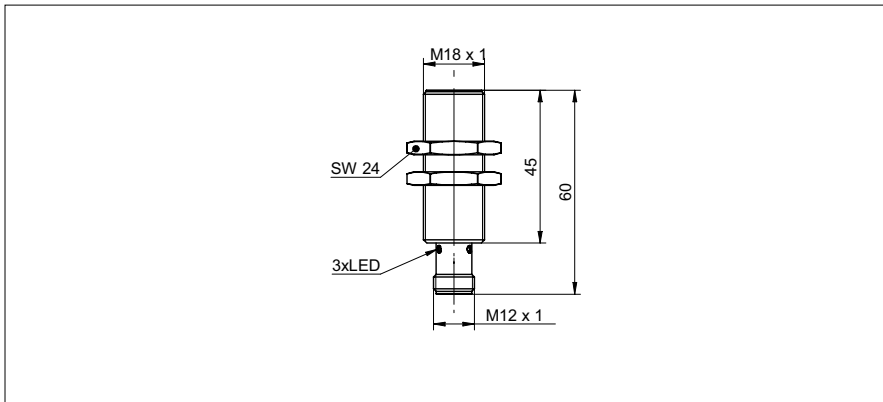


Inductive proximity switch

IR18.P06F-11119457

dimension drawing



general data

| | |
|--------------------------------|---------------------|
| mounting type | flush |
| special type | factor 1 |
| nominal sensing distance S_n | 6 mm |
| hysteresis | 3 ... 20 % of S_r |
| output indicator | 3 port LED red |

electrical data

| | |
|------------------------------------|-------------------------|
| switching frequency | < 500 Hz |
| voltage supply range +Vs | 5 ... 36 VDC |
| current consumption max. (no load) | 12 mA |
| output circuit | NPN break function (NC) |
| voltage drop Vd | < 2 VDC |
| output current | < 200 mA |
| short circuit protection | yes |
| reverse polarity protection | yes |

mechanical data

| | |
|-------------------------|----------------------|
| type | cylindrical threaded |
| material (sensing face) | PBT |
| housing material | brass nickel plated |
| dimension | 18 mm |
| housing length | 60 mm |
| connection types | connector M12 |
| tightening torque max. | 40 Nm |

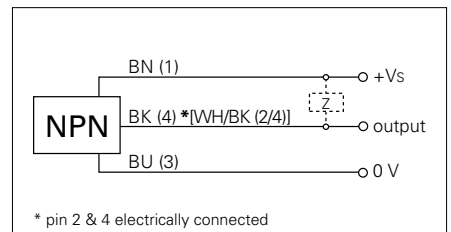
ambient conditions

| | |
|-----------------------|----------------|
| operating temperature | -25 ... +75 °C |
| storage temperature | -40 ... +85 °C |
| protection class | IP 67 |

photo



connection diagram



- same sensing distance on all metals (no reduction factor)