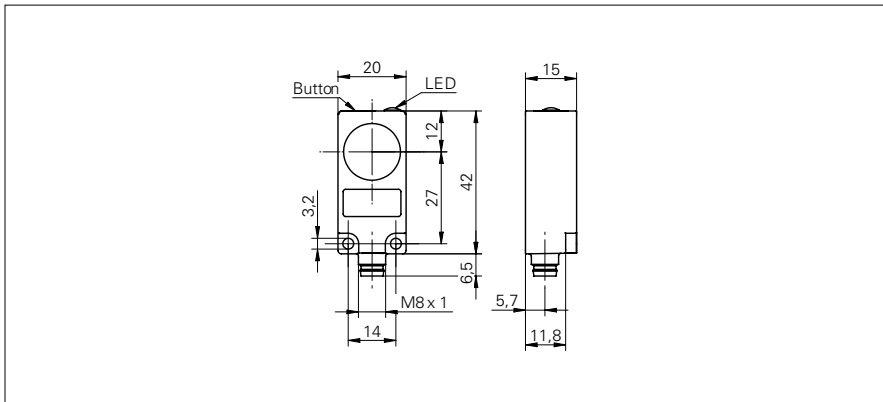


Inductive distance measuring sensors

IWFK 20Z8704/S35A

dimension drawing



general data

mounting type	quasi-flush
special type	linearized
measuring distance Sd	0 ... 10 mm
resolution	< 0,01 mm (stat.) < 0,01 mm (dynam.)
repeat accuracy	< 0,015 mm
adjustment	Teach-in
linearity error	± 50 µm
temperature drift	± 5 % (Full Scale)

electrical data

response time (factory characteristic)	< 2,5 ms
response time (teach in characteristic)	< 3,1 ms
voltage supply range +Vs	15 ... 30 VDC
current consumption max. (no load)	20 mA
output circuit	voltage output / PNP
output signal	0 ... 10 VDC
load resistance	> 1000 Ohm
output current	< 10 mA (PNP)
voltage drop Vd	< 5 VDC (PNP)
short circuit protection	yes
reverse polarity protection	yes

mechanical data

type	rectangular
housing material	polyester
dimension	20 mm
housing length	42 mm
connection types	connector M8

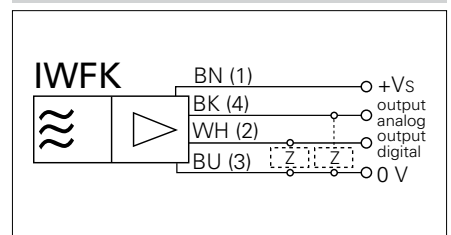
ambient conditions

operating temperature	-10 ... +70 °C
protection class	IP 67

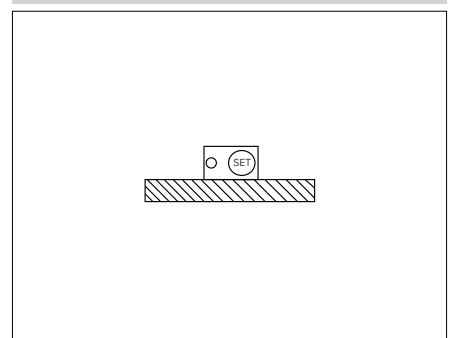
photo



connection diagram



installation drawing



- Internal Teach-In
- integrated analog- and switching output
- linear analog output