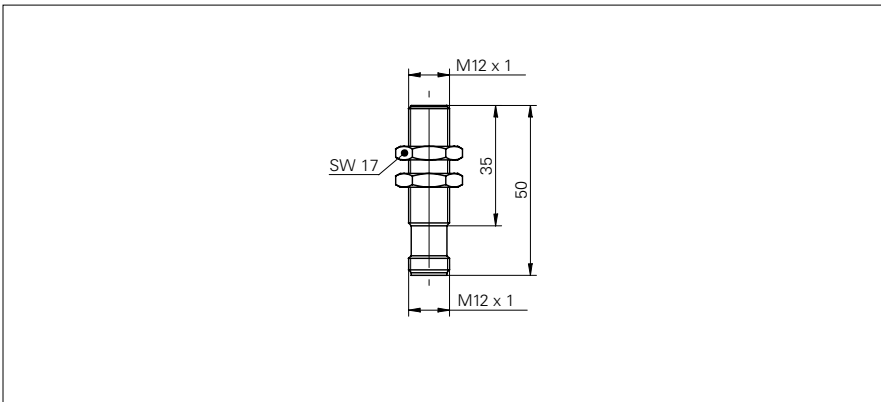


Inductive distance measuring sensors

IWRM 12I9704/S14X

dimension drawing



general data

mounting type	quasi-flush
measuring distance Sd	0 ... 4 mm
resolution	< 0,001 mm (stat.) < 0,005 mm (dynam.)
repeat accuracy	< 0,01 mm
linearity error	± 160 µm
temperature drift	± 4 % (Full Scale)
approvals/certificates	ATEX 2D

electrical data

response time (factory characteristic)	< 2 ms
voltage supply range +Vs	15 ... 27 VDC
current consumption max. (no load)	20 mA
output circuit	current output
output signal	4 ... 20 mA
load resistance +Vs min.	< 330 Ohm
load resistance +Vs max.	< 1000 Ohm
Maximal zulässige Verlustleistung	< 1,35 W
short circuit protection	yes
reverse polarity protection	yes

mechanical data

type	cylindrical threaded
housing material	brass nickel plated
dimension	12 mm
housing length	50 mm
connection types	connector M12
tightening torque max.	15 Nm

ambient conditions

protection class	IP 67
------------------	-------

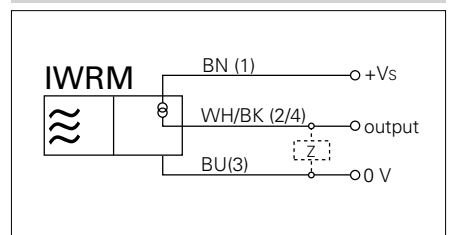
safe maximum values

marking	II 2D Ex tb IIIC T100°C Db IP6X
operating temperature Ta	-10 ... +50 °C

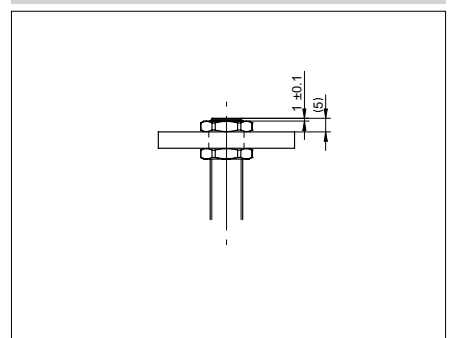
photo



connection diagram



installation drawing



• linearity deviation (S = 0,5...4 mm) ± 4% (Full Scale)

Inductive distance measuring sensors

IWRM 12I9704/S14X

Safe maximum values

EC type test certificate	SEV 12 ATEX 0123 X
Marking	Ⓔ II 2D Ex tb IIIC T100°C Db IP6X
Standards	According to the declaration of conformity
Operating temperature	-10 ... +50 °C
Storage temperature	-10 ... +75°C

Special conditions "X"

- The device must be set up so that the device and the plug-in connector are completely mechanically protected from impact effects in accordance with EN 60079-0 Section 26.4.2
- The metal housing must be conductively connected to the plant's equipotential bonding system
- The plug may only be connected or disconnected in a de-energized state and must be secured against tool-free isolation with the supplied fuse clip
- Device and connection cable must be installed so that they are protected from UV light

Approved Baumer connection cable

Cable type	PUR halogen-free black
Cable outer diameter	4.40 mm
Wire	3 x 0.34 mm ²
Additional strain relief required	> 100 N
Installation torque for tightness	0.4 Nm
UL- listed	E315836

Straight connector	ESG 34SH0200X	11099263	2 m
	ESG 34SH0300X	11099265	3 m
	ESG 34SH0500X	11099266	5 m
	ESG 34SH1000X	11099267	10 m
	ESG 34SH2000X	11099268	20 m

Angled connector	ESW 33SH0200X	11099269	2 m
	ESW 33SH0500X	11099270	5 m
	ESW 33SH0600X	11099271	6 m
	ESW 33SH1000X	11099272	10 m
	ESW 33SH2000X	11099273	20 m

Other lengths on request