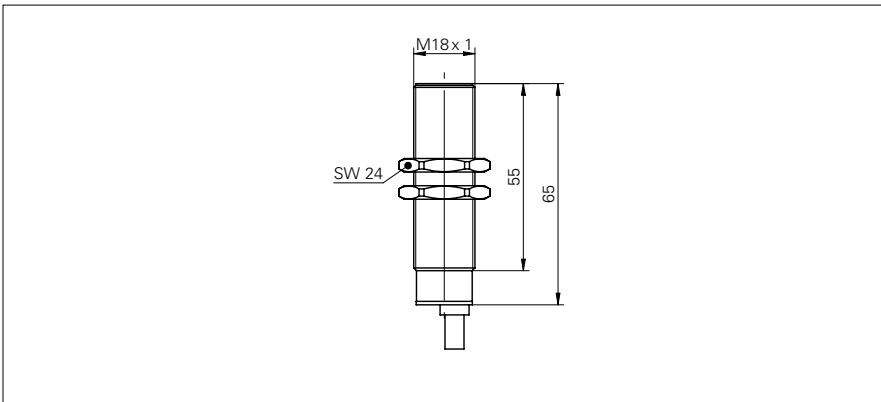


# Inductive distance measuring sensors

## IWRM 18I9501

### dimension drawing



### general data

|                         |                  |
|-------------------------|------------------|
| mounting type           | flush            |
| measuring distance Sd   | 2 ... 5 mm       |
| reference distance      | 3,25 ... 3,75 mm |
| measuring speed         | < 1 mm / ms      |
| repeat accuracy         | < 0,02 mm        |
| linearity error         | ± 100 µm         |
| temperature coefficient | 1 µm / (K mm)    |

### electrical data

|                                    |                |
|------------------------------------|----------------|
| voltage supply range +Vs           | 15 ... 30 VDC  |
| current consumption max. (no load) | 35 mA          |
| output circuit                     | current output |
| output signal                      | 4 ... 20 mA    |
| load resistance +Vs min.           | < 500 Ohm      |
| load resistance +Vs max.           | < 1000 Ohm     |
| residual output ripple             | < 0,5 % Vs     |
| short circuit protection           | yes            |
| reverse polarity protection        | yes            |

### mechanical data

|                  |                      |
|------------------|----------------------|
| type             | cylindrical threaded |
| housing material | brass nickel plated  |
| dimension        | 18 mm                |
| housing length   | 65 mm                |
| connection types | cable, 2 m           |

### ambient conditions

|                       |              |
|-----------------------|--------------|
| operating temperature | 0 ... +60 °C |
| protection class      | IP 67        |

### photo



### connection diagram

