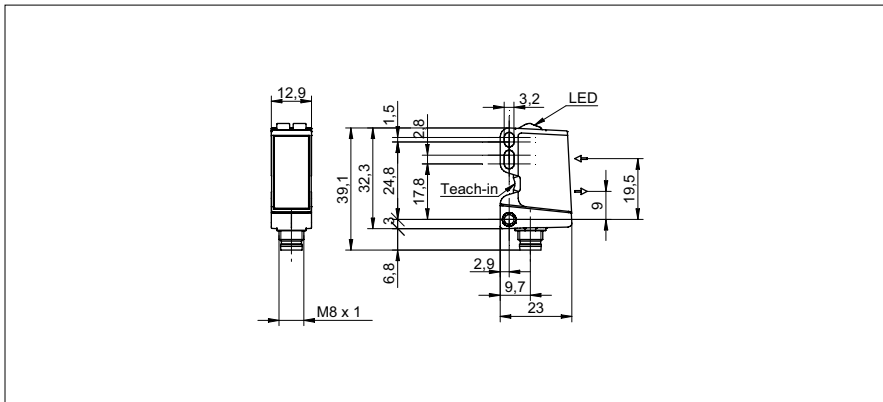


Diffuse sensors with background suppression

O300.GR-11128552

dimension drawing



general data

type	background suppression
light source	pulsed red LED
sensing distance T_w	30 ... 300 mm
sensing range T_b	15 ... 300 mm
power on indication	LED green
light indicator	LED yellow
sensing distance adjustment	qTeach / 1-Step Teach-in
wave length	630 nm
suppression of reciprocal influence	yes
alignment optical axis	< 2°

electrical data

response time / release time	< 1 ms
voltage supply range +Vs	10 ... 30 VDC
current consumption max. (no load)	45 mA
current consumption typ.	30 mA
voltage drop V_d	< 3 VDC
output function	light / dark operate
output circuit	NPN complementary
output current	< 100 mA
short circuit protection	yes
reverse polarity protection	yes

mechanical data

width / diameter	12,9 mm
height / length	32,3 mm
depth	23 mm
type	rectangular
housing material	plastic (ASA, PMMA)
front (optics)	PMMA
connection types	connector M8 4 pin

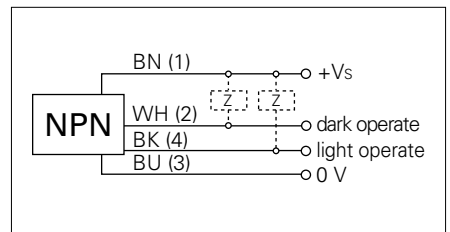
ambient conditions

operating temperature	-25 ... +60 °C
protection class	IP 67

photo



connection diagram



• qTeach