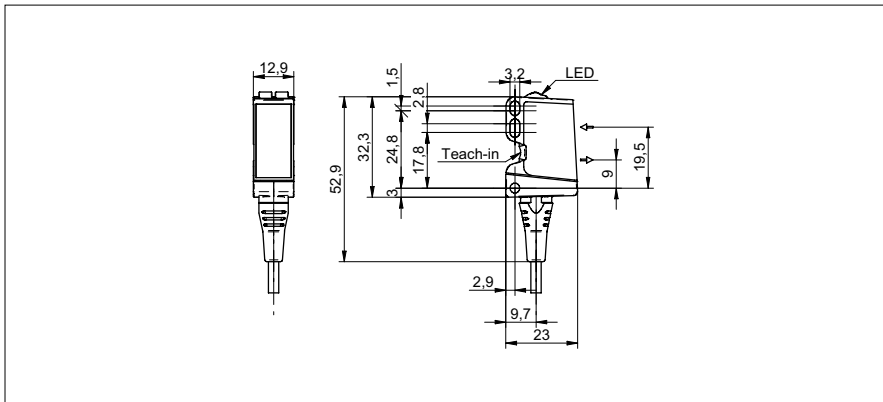


# Diffuse sensors with background suppression

**O300.GR-11135880**

**dimension drawing**



**general data**

|                                     |                        |
|-------------------------------------|------------------------|
| type                                | background suppression |
| light source                        | pulsed red LED         |
| sensing distance $T_w$              | 30 ... 300 mm          |
| sensing range $T_b$                 | 15 ... 300 mm          |
| power on indication                 | LED green              |
| light indicator                     | LED yellow             |
| sensing distance adjustment         | qTeach                 |
| wave length                         | 630 nm                 |
| suppression of reciprocal influence | yes                    |
| alignment optical axis              | < 2°                   |

**electrical data**

|                                    |                      |
|------------------------------------|----------------------|
| response time / release time       | < 1 ms               |
| voltage supply range +Vs           | 10 ... 30 VDC        |
| current consumption max. (no load) | 45 mA                |
| current consumption typ.           | 30 mA                |
| voltage drop Vd                    | < 3 VDC              |
| output function                    | light / dark operate |
| output circuit                     | PNP complementary    |
| output current                     | < 100 mA             |
| short circuit protection           | yes                  |
| reverse polarity protection        | yes                  |

**mechanical data**

|                  |                     |
|------------------|---------------------|
| width / diameter | 12,9 mm             |
| height / length  | 32,3 mm             |
| depth            | 23 mm               |
| type             | rectangular         |
| housing material | plastic (ASA, PMMA) |
| front (optics)   | PMMA                |
| connection types | cable 4 pin, 2 m    |

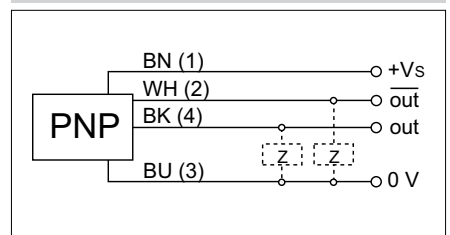
**ambient conditions**

|                       |                |
|-----------------------|----------------|
| operating temperature | -25 ... +60 °C |
| protection class      | IP 67          |

**photo**



**connection diagram**



• qTeach