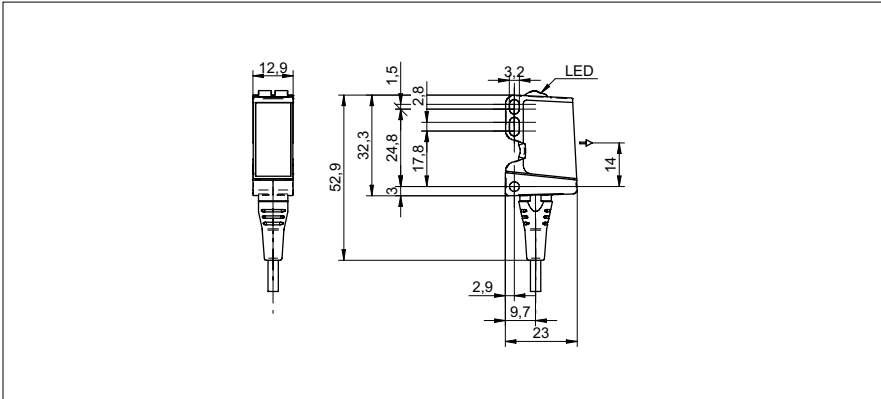


Through beam sensors

O300.TR-11167264

dimension drawing



general data

| | |
|------------------------|---------------------|
| type | through beam sensor |
| emitter / receiver | emitter |
| light source | pulsed red LED |
| actual range S_b | 10 m |
| nominal range S_n | 15 m |
| power on indication | LED green |
| wave length | 645 nm |
| alignment optical axis | < 2° |

electrical data

| | |
|------------------------------------|---------------|
| response time / release time | < 0,49 ms |
| voltage supply range +Vs | 10 ... 30 VDC |
| current consumption max. (no load) | 40 mA |
| current consumption typ. | 30 mA |
| reverse polarity protection | yes |

mechanical data

| | |
|------------------|---------------------|
| width / diameter | 12,9 mm |
| height / length | 32,3 mm |
| depth | 23 mm |
| type | rectangular |
| housing material | plastic (ASA, PMMA) |
| front (optics) | PMMA |
| connection types | cable 4 pin, 2 m |

ambient conditions

| | |
|-----------------------|----------------|
| operating temperature | -25 ... +60 °C |
| protection class | IP 67 |

photo



connection diagram

