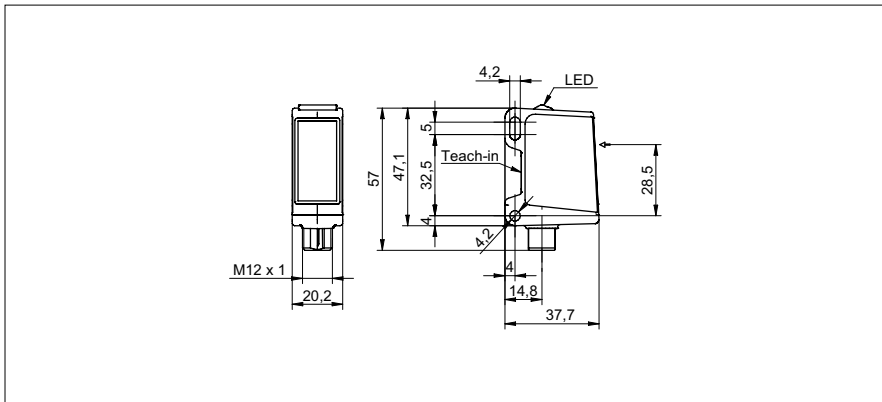


**Through beam sensors**

**O500W.ER-11167303**

**dimension drawing**



**general data**

type	through beam sensor
special type	Washdown design
emitter / receiver	receiver
actual range Sb	25 m
nominal range Sn	40 m
alignment / soiled lens indicator	flashing light indicator
light indicator	LED yellow
power on indication	LED green
sensitivity adjustment	qTeach / remote
alignment optical axis	< 1°
approvals/certificates	Ecolab

**electrical data**

response time / release time	< 0,49 ms
voltage supply range +Vs	10 ... 30 VDC
current consumption max. (no load)	40 mA
current consumption typ.	30 mA
voltage drop Vd	< 3 VDC
output function	light / dark operate
output circuit	push-pull
output current	< 100 mA
short circuit protection	yes
reverse polarity protection	yes

**mechanical data**

width / diameter	20,2 mm
height / length	47,2 mm
depth	37,7 mm
type	rectangular
housing material	stainless steel 1.4404 (V4A)
front (optics)	PMMA
connection types	connector M12 4 pin

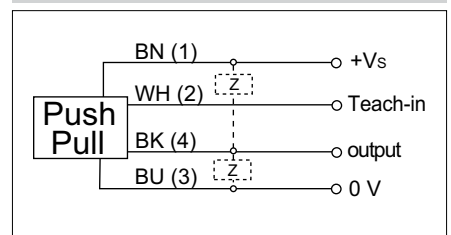
**ambient conditions**

operating temperature	-25 ... +60 °C
protection class	IP 68/69K & proTect+

**photo**



**connection diagram**



proTect<sup>+</sup>



• qTeach