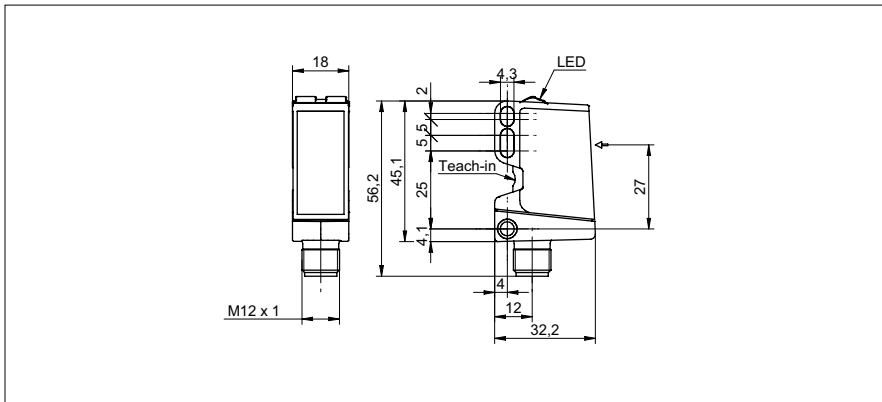


Through beam sensors

O500.ER-11128075

dimension drawing



general data

| | |
|-----------------------------------|--------------------------|
| type | through beam sensor |
| emitter / receiver | receiver |
| actual range S_b | 25 m |
| nominal range S_n | 40 m |
| alignment / soiled lens indicator | flashing light indicator |
| light indicator | LED yellow |
| power on indication | LED green |
| sensitivity adjustment | qTeach |
| alignment optical axis | < 1° |

electrical data

| | |
|------------------------------------|----------------------|
| response time / release time | < 0,49 ms |
| voltage supply range +Vs | 10 ... 30 VDC |
| current consumption max. (no load) | 40 mA |
| current consumption typ. | 30 mA |
| voltage drop V_d | < 3 VDC |
| output function | light / dark operate |
| output circuit | PNP complementary |
| output current | < 100 mA |
| short circuit protection | yes |
| reverse polarity protection | yes |

mechanical data

| | |
|------------------|---------------------|
| width / diameter | 18 mm |
| height / length | 45 mm |
| depth | 32 mm |
| type | rectangular |
| housing material | plastic (ASA, PMMA) |
| front (optics) | PMMA |
| connection types | connector M12 4 pin |

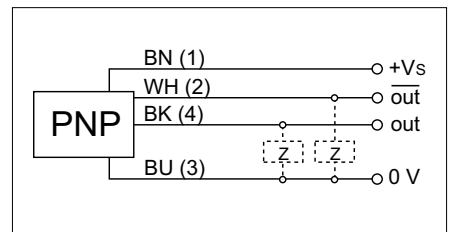
ambient conditions

| | |
|-----------------------|----------------|
| operating temperature | -25 ... +60 °C |
| protection class | IP 67 |

photo



connection diagram



• qTeach