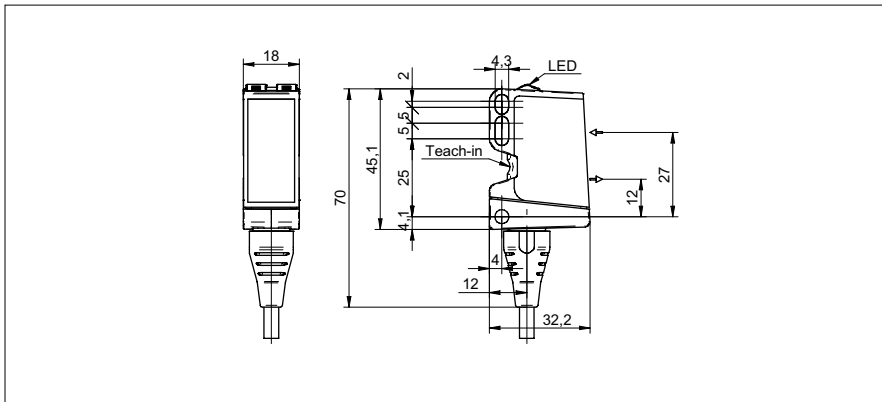


Diffuse sensors with background suppression

O500.GI-11128082

dimension drawing



general data

type	background suppression
light source	pulsed infrared diode
sensing distance Tw	60 ... 550 mm
sensing range Tb	30 ... 600 mm
power on indication	LED green
light indicator	LED yellow
sensing distance adjustment	qTeach / external
wave length	860 nm
suppression of reciprocal influence	yes
alignment optical axis	< 1°

electrical data

response time / release time	< 0,49 ms
voltage supply range +Vs	10 ... 30 VDC
current consumption max. (no load)	40 mA
current consumption typ.	30 mA
voltage drop Vd	< 3 VDC
output function	light / dark operate
output circuit	push-pull
output current	< 100 mA
short circuit protection	yes
reverse polarity protection	yes

mechanical data

width / diameter	18 mm
height / length	45 mm
depth	32 mm
type	rectangular
housing material	plastic (ASA, PMMA)
front (optics)	PMMA
connection types	cable 4 pin, 2 m

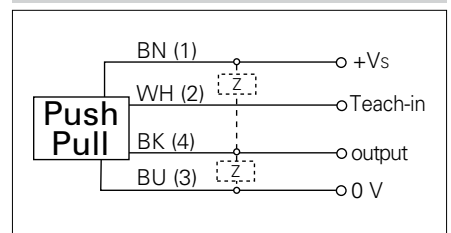
ambient conditions

operating temperature	-25 ... +60 °C
protection class	IP 67

photo



connection diagram



• qTeach