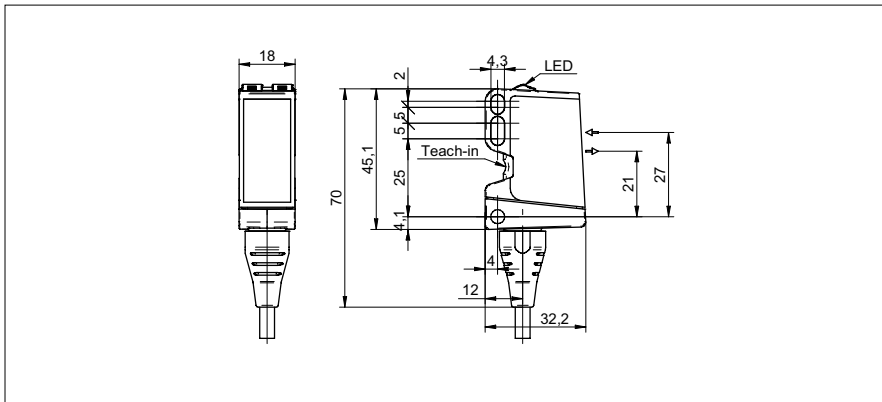


**Retro-reflective sensors**

**O500.RP-11096103**

**dimension drawing**



**general data**

|                                     |                         |
|-------------------------------------|-------------------------|
| type                                | retro-reflective sensor |
| light source                        | pulsed PinPoint LED     |
| actual range $S_b$                  | 7,5 m                   |
| nominal range $S_n$                 | 8 m                     |
| polarization filter                 | yes                     |
| light indicator                     | LED yellow              |
| power on indication                 | LED green               |
| sensitivity adjustment              | qTeach / remote         |
| wave length                         | 630 nm                  |
| suppression of reciprocal influence | yes                     |
| alignment optical axis              | < 1°                    |

**electrical data**

|                                    |                      |
|------------------------------------|----------------------|
| response time / release time       | < 0,49 ms            |
| voltage supply range +Vs           | 10 ... 30 VDC        |
| current consumption max. (no load) | 40 mA                |
| current consumption typ.           | 30 mA                |
| voltage drop $V_d$                 | < 3 VDC              |
| output function                    | light / dark operate |
| output circuit                     | push-pull            |
| output current                     | < 100 mA             |
| short circuit protection           | yes                  |
| reverse polarity protection        | yes                  |

**mechanical data**

|                  |                     |
|------------------|---------------------|
| width / diameter | 18 mm               |
| height / length  | 45 mm               |
| depth            | 32 mm               |
| type             | rectangular         |
| housing material | plastic (ASA, PMMA) |
| front (optics)   | PMMA                |
| connection types | cable 4 pin, 2 m    |

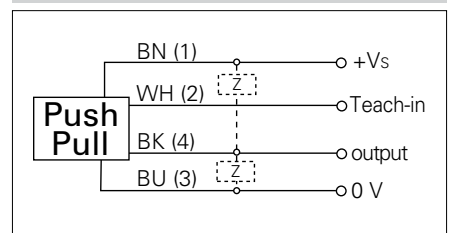
**ambient conditions**

|                       |                |
|-----------------------|----------------|
| operating temperature | -25 ... +60 °C |
| protection class      | IP 67          |

**photo**



**connection diagram**



• qTeach