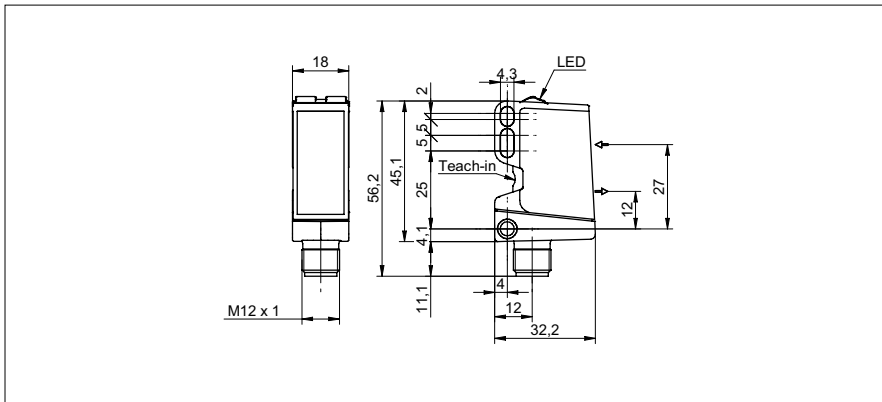


**SmartReflect Light barriers**

**O500.SP-11096083**

**dimension drawing**



**general data**

type	light barrier
version	standard object detection
light source	pulsed PinPoint LED
background position Sde	60 ... 600 mm
scanning range Sa	90% ... 85% Sde
power on indication	LED green
light indicator	LED yellow
sensing distance adjustment	qTeach
wave length	630 nm
suppression of reciprocal influence	yes
alignment optical axis	< 1°

**electrical data**

response time / release time	< 0,49 ms
voltage supply range +Vs	10 ... 30 VDC
current consumption max. (no load)	40 mA
current consumption typ.	30 mA
voltage drop Vd	< 3 VDC
output function	light / dark operate
output circuit	NPN complementary
output current	< 100 mA
short circuit protection	yes
reverse polarity protection	yes

**mechanical data**

width / diameter	18 mm
height / length	45 mm
depth	32 mm
type	rectangular
housing material	plastic (ASA, PMMA)
front (optics)	PMMA
connection types	connector M12 4 pin

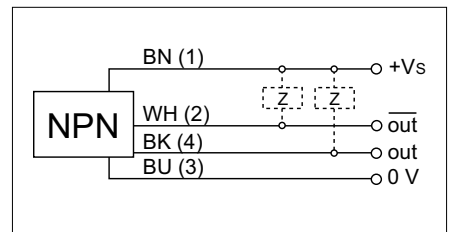
**ambient conditions**

operating temperature	-25 ... +60 °C
protection class	IP 67

**photo**



**connection diagram**



• qTeach