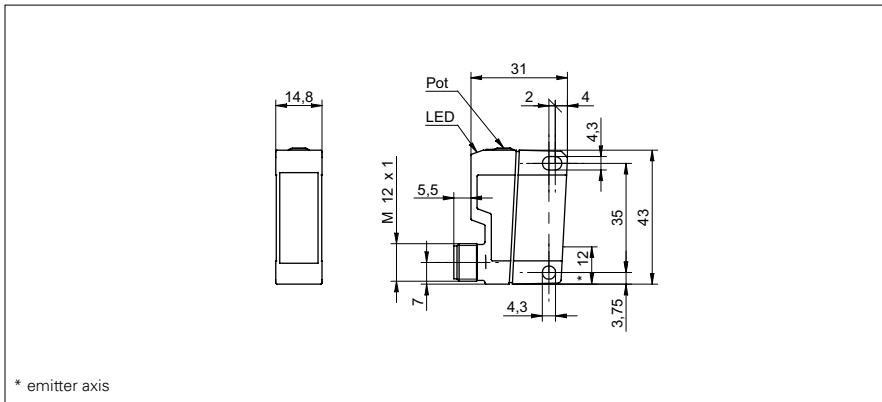


Diffuse sensors with background suppression

OHDK 14P5101/S14

dimension drawing



* emitter axis

general data

type	background suppression
light source	pulsed red laser diode
sensing distance Tw	20 ... 350 mm
sensing range Tb (at Tw max.)	20 ... 350 mm
sensing range Tb (at Tw min.)	5 ... 20 mm
repeat accuracy	< 0,2 mm at laser focus
power on indication	LED green
light indicator	LED yellow
sensing distance adjustment	mechanical, 9 turn
laser class	2
distance to focus	115 mm
wave length	650 nm

electrical data

response time / release time	< 0,5 ms
voltage supply range +Vs	10 ... 30 VDC
current consumption max. (no load)	35 mA
current consumption typ.	25 mA
voltage drop Vd	< 2,2 VDC
output function	light / dark operate
output circuit	PNP
output current	< 100 mA
short circuit protection	yes
reverse polarity protection	yes

mechanical data

width / diameter	14,8 mm
height / length	43 mm
depth	31 mm
type	rectangular
housing material	plastic (ASA, MABS)
front (optics)	PMMA
connection types	connector M12 4 pin

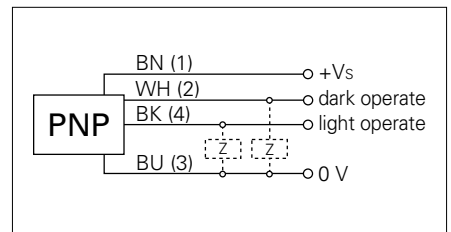
ambient conditions

operating temperature	-10 ... +50 °C
protection class	IP 67

photo



connection diagram



laser warning

