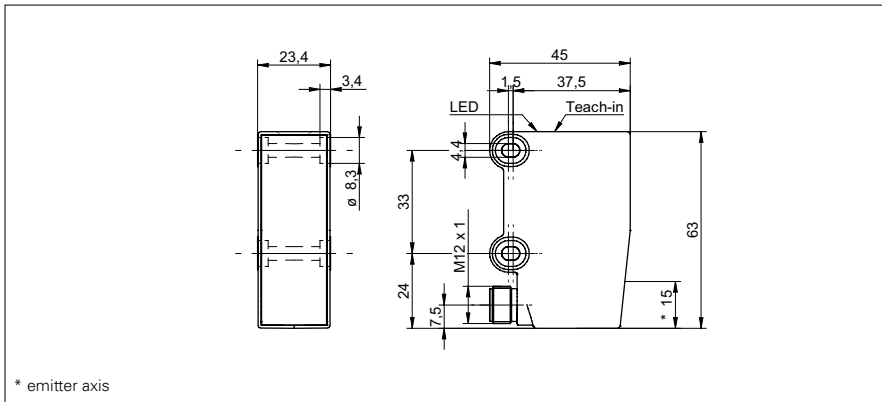


Diffuse sensors with background suppression

OHDK 25G6921/S14

dimension drawing



general data

type	background suppression
light source	pulsed red laser diode
sensing distance Tw	100 ... 1000 mm
sensing range Tb (reflectivity 90%)	100 ... 1000 mm
sensing range Tb (reflectivity 18%)	100 ... 935 mm
sensing range Tb (reflectivity 6%)	100 ... 450 mm
power on indication	LED green
light indicator	LED yellow
sensing distance adjustment	Teach-in
laser class	1
wave length	656 nm
beam diameter	3,7 ... 13 mm
black/white shift	0%

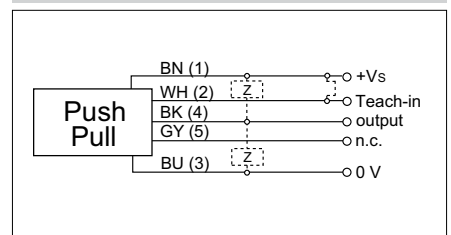
photo



electrical data

response time / release time	< 6 ms
voltage supply range +Vs	10 ... 30 VDC
current consumption max. (no load)	80 mA
voltage drop Vd	< 3,5 VDC
output function	light / dark operate
output circuit	push-pull
output current	< 100 mA
short circuit protection	yes
reverse polarity protection	yes

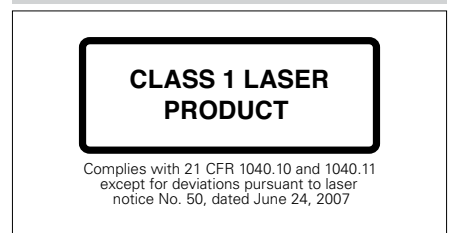
connection diagram



mechanical data

width / diameter	23,4 mm
height / length	63 mm
depth	45 mm
type	rectangular
housing material	plastic (SAN LURAN 378P)
front (optics)	PMMA
connection types	connector M12 5 pin

laser warning



• qTeach

Diffuse sensors with background suppression

OHDK 25G6921/S14

ambient conditions

operating temperature	0 ... +50 °C
protection class	IP 67
storage temperature	-10 ... +70 °C