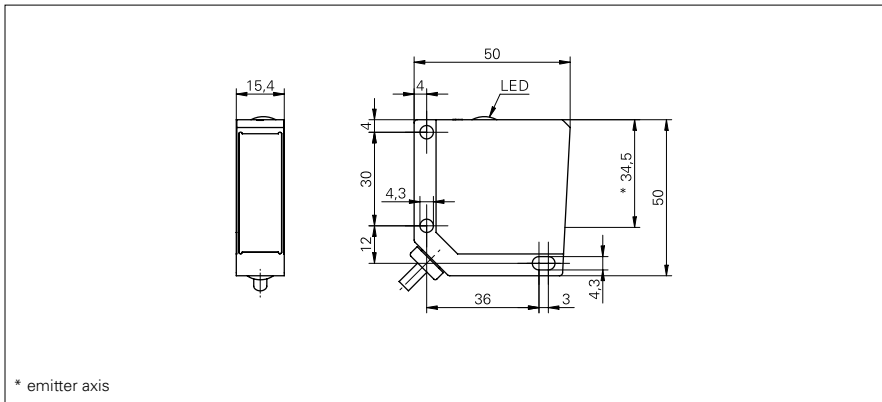


Diffuse sensors with background suppression

OHDM 16N5651

dimension drawing



general data

type	background suppression
version	wafer mapping sensor
light source	pulsed red laser diode
sensing distance Tw	123 ... 143 mm
repeat accuracy	< 0,1 mm at laser focus
power on indication	LED green
output indicator	LED yellow
sensing distance adjustment	no
laser class	2
wave length	650 nm
suppression of reciprocal influence	yes

electrical data

response time / release time	< 5 ms
voltage supply range +Vs	10 ... 30 VDC
current consumption max. (no load)	35 mA
current consumption typ.	25 mA
voltage drop Vd	< 2 VDC
output function	light / dark operate
output circuit	NPN
output current	< 200 mA
short circuit protection	yes
reverse polarity protection	yes

mechanical data

width / diameter	15,4 mm
height / length	50 mm
depth	50 mm
type	rectangular
housing material	die-cast zinc
front (optics)	glass
connection types	cable 5 pin, 2 m

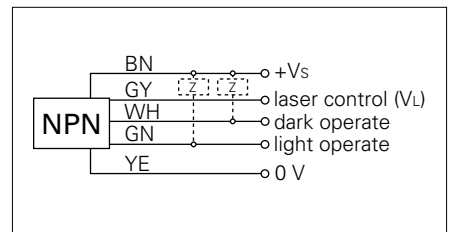
ambient conditions

operating temperature	-5 ... +50 °C
protection class	IP 67

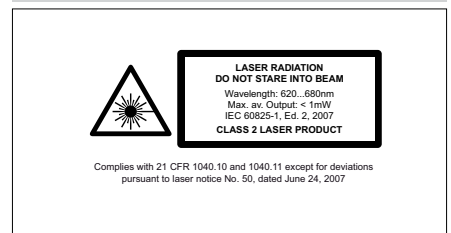
photo



connection diagram



laser warning



- laser control input:
- laser on VL ≤ 1 VDC
- laser off VL ≥ +Vs - 4 VDC or disconnected