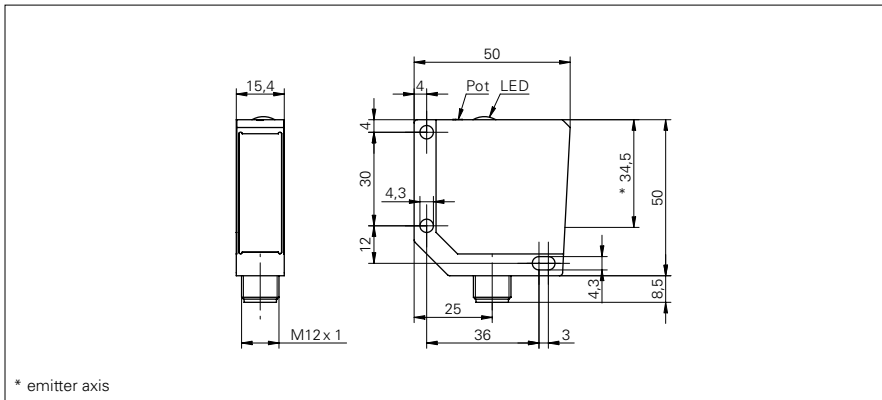


Diffuse sensors with background suppression

OHDM 16P5001/S14

dimension drawing



general data

type	background suppression
light source	pulsed red laser diode
sensing distance Tw	25 ... 300 mm
sensing range Tb (at Tw max.)	40 ... 300 mm
sensing range Tb (at Tw min.)	5 ... 25 mm
repeat accuracy	< 0,1 mm at laser focus
output indicator	LED yellow
sensing distance adjustment	mechanical, 8 turn
laser class	2
distance to focus	80 mm
wave length	650 nm
suppression of reciprocal influence	yes

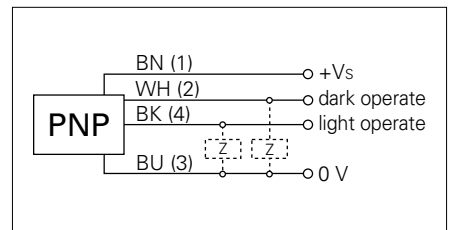
photo



electrical data

response time / release time	< 0,6 ms
voltage supply range +Vs	10 ... 30 VDC
current consumption max. (no load)	35 mA
current consumption typ.	25 mA
voltage drop Vd	< 2 VDC
output function	light / dark operate
output circuit	PNP
output current	< 200 mA
short circuit protection	yes
reverse polarity protection	yes

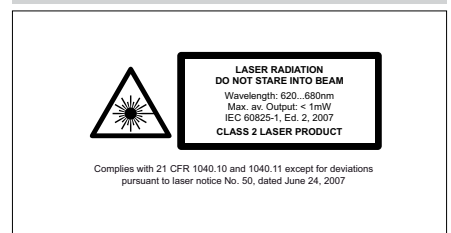
connection diagram



mechanical data

width / diameter	15,4 mm
height / length	50 mm
depth	50 mm
type	rectangular
housing material	die-cast zinc
front (optics)	glass
connection types	connector M12 4 pin

laser warning



ambient conditions

operating temperature	-10 ... +50 °C
protection class	IP 67

