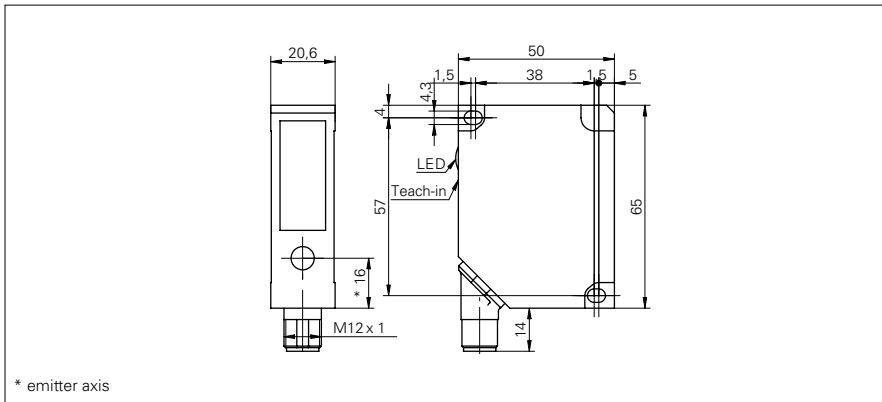


# Diffuse sensors with background suppression

## OHDM 20P6990/S14C

### dimension drawing



### general data

type	background suppression
light source	pulsed red laser diode
sensing distance Tw	210 ... 1500 mm
sensing range Tb (at Tw max.)	200 ... 1500 mm
sensing range Tb (at Tw min.)	200 ... 210 mm
power on indication	LED green
light indicator	LED red
sensing distance adjustment	Teach-in
laser class	2
wave length	650 nm
beam diameter	2 mm

### electrical data

response time	< 6 ms
release time	< 18 ms
voltage supply range +Vs	12 ... 28 VDC
current consumption max. (no load)	100 mA
voltage drop Vd	< 5 VDC
output function	light / dark operate
output circuit	PNP
output current	< 20 mA
short circuit protection	yes
reverse polarity protection	yes, Vs to GND

### mechanical data

width / diameter	20,6 mm
height / length	65 mm
depth	50 mm
type	rectangular
housing material	die-cast zinc
front (optics)	glass
connection types	connector M12 5 pin

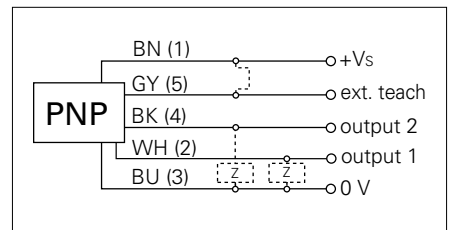
### ambient conditions

operating temperature	0 ... +50 °C
protection class	IP 67

### photo



### connection diagram



### laser warning

