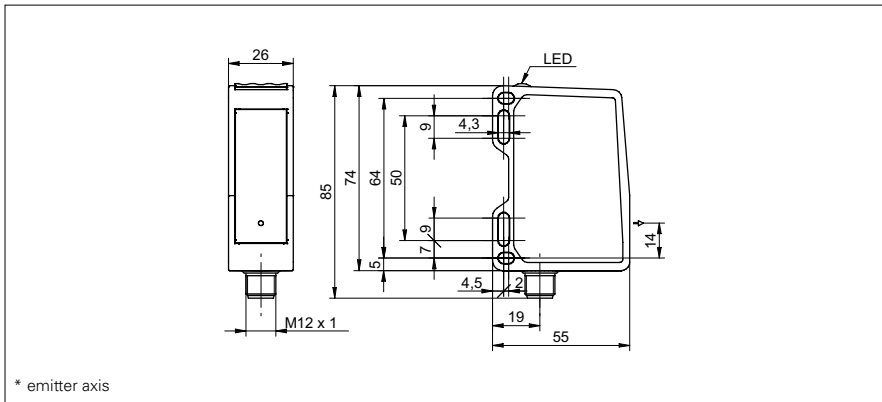


**Distance sensors**

**OM70-11112069**

**dimension drawing**



**general data**

version	MESAX 70 multi-spot
measuring distance Sd	100 ... 500 mm
measuring range (width)	13 ... 66 mm
adjustment	Touch Display, RS485
power on indication	LED green
resolution	4 ... 25 µm 1) 2) 4) 5)
linearity error	± 100 µm 1) 2) 4) 6)
repeat accuracy	4 ... 20 µm 1) 2) 4) 5)
light source	pulsed red laser diode
wave length	660 nm
laser class	2
beam type	multi-spot
temperature drift	± 0,04 % Sde/K 1) 2) 4)

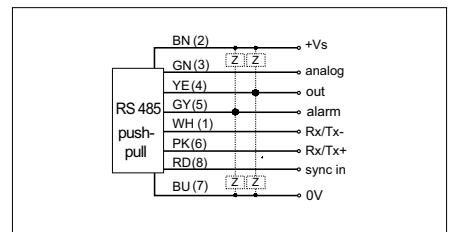
**photo**



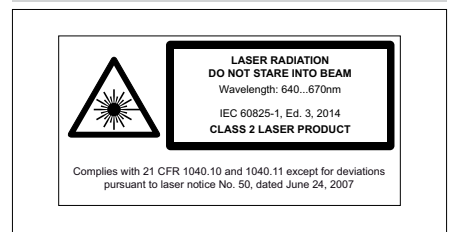
**electrical data**

response time / release time	1,3 ms 2) 3)
measuring frequency	1540 Hz 2) 3)
voltage supply range +Vs	15 ... 28 VDC
current consumption max. (no load)	120 mA
output circuit	analog and RS 485
baud rate	115200, adjustable
output signal	4 ... 20 mA / 0 ... 10 VDC
output current	< 100 mA
short circuit protection	yes
reverse polarity protection	yes, Vs to GND

**connection diagram**



**laser warning**



**mechanical data**

width / diameter	26 mm
height / length	74 mm
depth	55 mm
type	rectangular, front view
housing material	aluminum
front (optics)	glass
connection types	connector M12 8 pin

**Distance sensors**
**OM70-11112069**
**ambient conditions**

ambient light immunity	< 35 kLux
operating temperature	-10 ... +50 °C
protection class	IP 67
storage temperature	-25 ... +75 °C
vibration (sinusoidal)	IEC 60068-2-6:2008 1.5 mm p-p at f = 10 - 57 Hz, 10 cycles per axis 10 g at f = 58 - 2000 Hz, 10 cycles per axis
shock (semi-sinusoidal)	IEC 60068-2-27:2009 50 g / 11 ms resp. 100 g / 6 ms, 10 jolts per axis and direction 100 g / 2 ms, 5000 jolts per axis and direction



- 1) Measurement with Baumer standardized measuring equipment and targets depending on measuring distance Sd
- 2) Measurement on 90% remission (white)
- 3) Measurement with reduced Field of View (distance 400 ... 500 mm, width 5 mm)
- 4) Measurement with measuring type average
- 5) Measurement with filtering
- 6) Measuring range (distance) 100 ... 200 mm