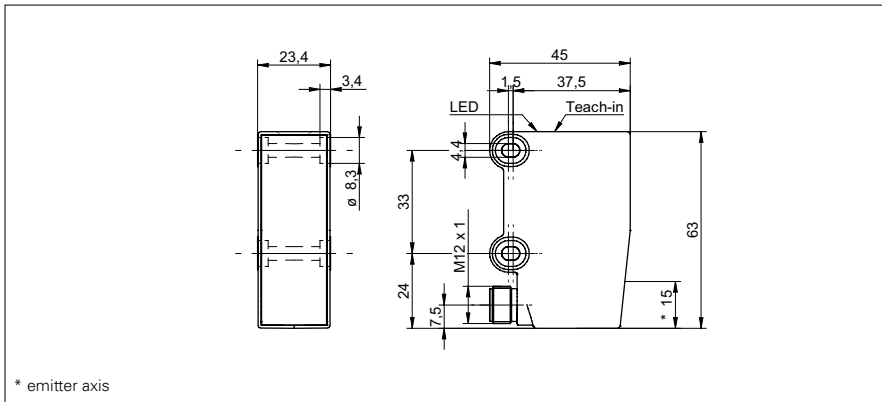


SmartReflect Light barriers

ONDK 25G6911/S14

dimension drawing



general data

type	light barrier
version	standard object detection
light source	pulsed red laser diode
background position Sde	100 ... 2000 mm
scanning range sa	97% ... 83% Sde
alignment / soiled lens indicator	flashing light indicator
power on indication	LED green
light indicator	LED yellow
sensing distance adjustment	Teach-in
laser class	1
wave length	656 nm
beam diameter	3,7 ... 22 mm

electrical data

response time / release time	< 10 ms
voltage supply range +Vs	10 ... 30 VDC
current consumption max. (no load)	80 mA
voltage drop Vd	< 3,5 VDC
output function	light / dark operate
output circuit	push-pull
output current	< 100 mA
short circuit protection	yes
reverse polarity protection	yes

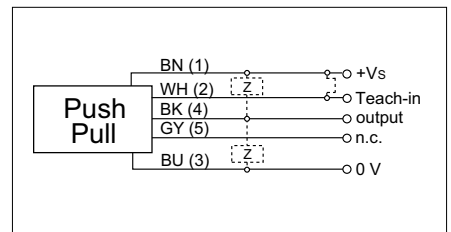
mechanical data

width / diameter	23,4 mm
height / length	63 mm
depth	45 mm
type	rectangular
housing material	plastic (SAN LURAN 378P)
front (optics)	PMMA
connection types	connector M12 5 pin

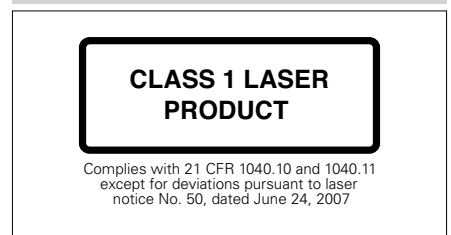
photo



connection diagram



laser warning



• qTeach

SmartReflect Light barriers**ONDK 25G6911/S14****ambient conditions**

operating temperature	0 ... +50 °C
protection class	IP 67
storage temperature	-10 ... +70 °C