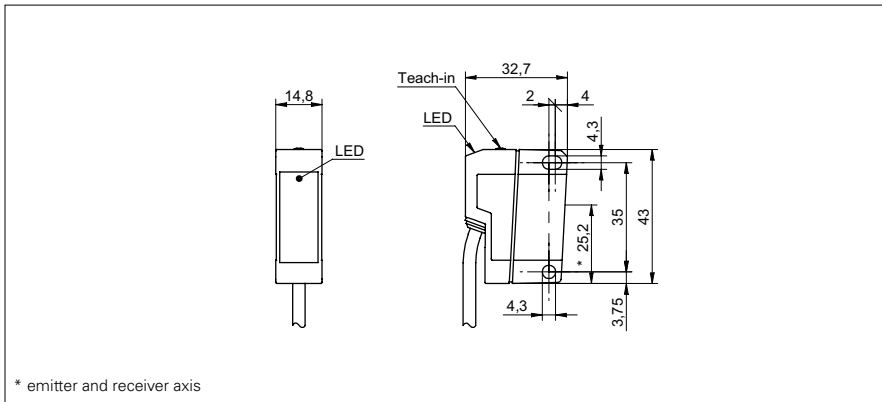


**Retro-reflective sensors**

**OPDK 14P3902**

**dimension drawing**



**general data**

type	retro-reflective laser sensor
version	for transparent objects single lens optics
light source	pulsed red laser diode
actual range Sb	4,5 m
nominal range Sn	5,2 m
repeat accuracy	< 0,1 mm at laser focus
polarization filter	yes
light indicator	LED yellow
power on indication	LED green
sensitivity adjustment	Teach-in
laser class	1
distance to focus	100 mm
wave length	650 nm

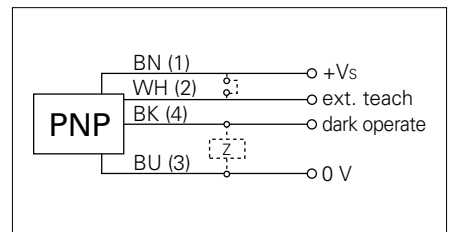
**photo**



**electrical data**

response time / release time	< 0,25 ms
voltage supply range +Vs	10 ... 30 VDC
current consumption max. (no load)	35 mA
current consumption typ.	25 mA
voltage drop Vd	< 2,2 VDC
output function	dark operate
output circuit	PNP
output current	< 100 mA
teach value stored after power-off	volatile
short circuit protection	yes
reverse polarity protection	yes

**connection diagram**



**laser warning**

**CLASS 1 LASER PRODUCT**

Complies with 21 CFR 1040.10 and 1040.11 except for deviations pursuant to laser notice No. 50, dated June 24, 2007

**mechanical data**

width / diameter	14,8 mm
height / length	43 mm
depth	31 mm
type	rectangular
housing material	plastic (ASA, MABS)
front (optics)	PMMA
connection types	cable 4 pin, 2 m



• Sn, Sb: The teach value will be lost after Power-off

**Retro-reflective sensors****OPDK 14P3902****ambient conditions**

operating temperature	-10 ... +50 °C
protection class	IP 67