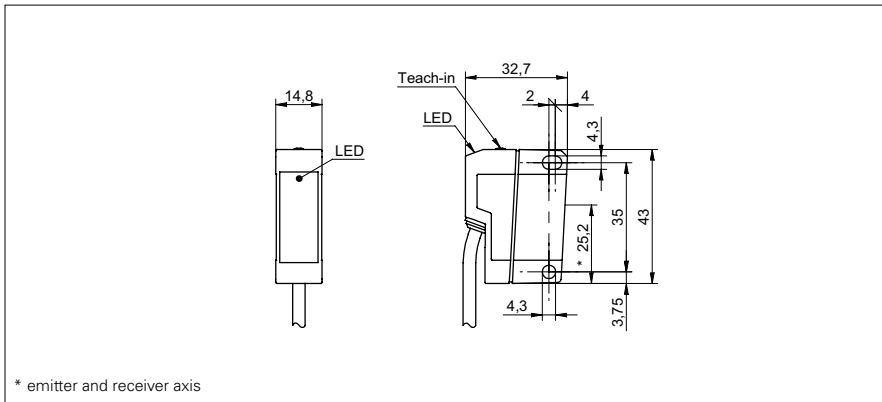


Retro-reflective sensors

OPDK 14P3903

dimension drawing



general data

type	retro-reflective laser sensor
version	for transparent objects single lens optics
light source	pulsed red laser diode
actual range Sb	4,5 m
nominal range Sn	5,2 m
repeat accuracy	< 0,1 mm at laser focus
polarization filter	yes
light indicator	LED yellow
power on indication	LED green
sensitivity adjustment	Teach-in
laser class	1
distance to focus	100 mm
wave length	650 nm

electrical data

response time / release time	< 0,25 ms
voltage supply range +Vs	10 ... 30 VDC
current consumption max. (no load)	35 mA
current consumption typ.	25 mA
voltage drop Vd	< 2,2 VDC
output function	dark operate
output circuit	PNP
output current	< 100 mA
teach value stored after power-off	non volatile
short circuit protection	yes
reverse polarity protection	yes

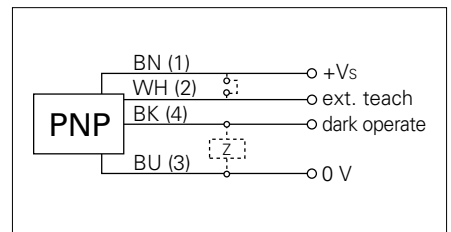
mechanical data

width / diameter	14,8 mm
height / length	43 mm
depth	31 mm
type	rectangular
housing material	plastic (ASA, MABS)
front (optics)	PMMA
connection types	cable 4 pin, 2 m

photo



connection diagram



laser warning

CLASS 1 LASER PRODUCT

Complies with 21 CFR 1040.10 and 1040.11 except for deviations pursuant to laser notice No. 50, dated June 24, 2007



• Sn, Sb: The teach value will be memorized after Power-off

Retro-reflective sensors**OPDK 14P3903****ambient conditions**

operating temperature	-10 ... +50 °C
protection class	IP 67