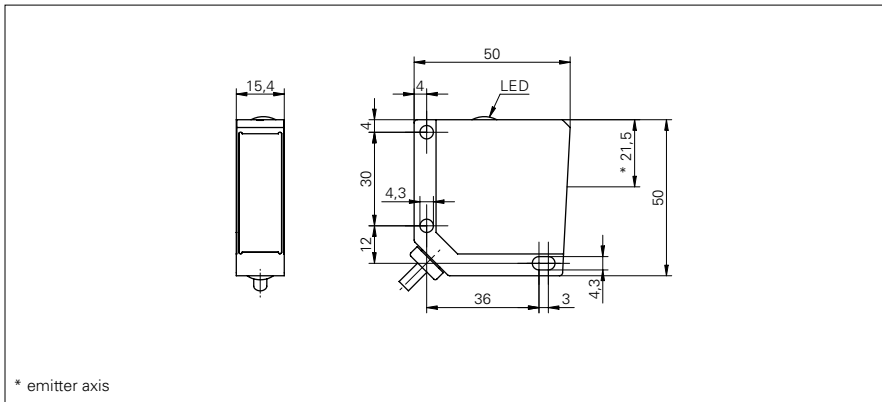


Retro-reflective sensors

OPDM 16P5102

dimension drawing



general data

| | |
|-----------------------------------|-------------------------------|
| type | retro-reflective laser sensor |
| light source | pulsed red laser diode |
| actual range S_b | 11 m |
| nominal range S_n | 12 m |
| repeat accuracy | < 1,5 mm at 0 ... 0,5 m |
| polarization filter | yes |
| alignment / soiled lens indicator | flashing light indicator |
| light indicator | LED yellow |
| sensitivity adjustment | no |
| laser class | 1 |
| distance to focus | 400 mm |
| wave length | 650 nm |

electrical data

| | |
|------------------------------------|----------------------|
| response time / release time | < 0,1 ms |
| voltage supply range +Vs | 10 ... 30 VDC |
| current consumption max. (no load) | 70 mA |
| current consumption typ. | 60 mA |
| voltage drop V_d | < 2 VDC |
| output function | light / dark operate |
| output circuit | PNP |
| output current | < 200 mA |
| short circuit protection | yes |
| reverse polarity protection | yes |

mechanical data

| | |
|------------------|------------------|
| width / diameter | 15,4 mm |
| height / length | 50 mm |
| depth | 50 mm |
| type | rectangular |
| housing material | die-cast zinc |
| front (optics) | glass |
| connection types | cable 4 pin, 2 m |

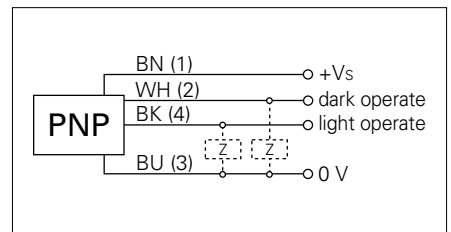
ambient conditions

| | |
|-----------------------|----------------|
| operating temperature | -10 ... +50 °C |
| protection class | IP 67 |

photo



connection diagram



laser warning

CLASS 1 LASER PRODUCT

Complies with 21 CFR 1040.10 and 1040.11 except for deviations pursuant to laser notice No. 50, dated June 24, 2007

