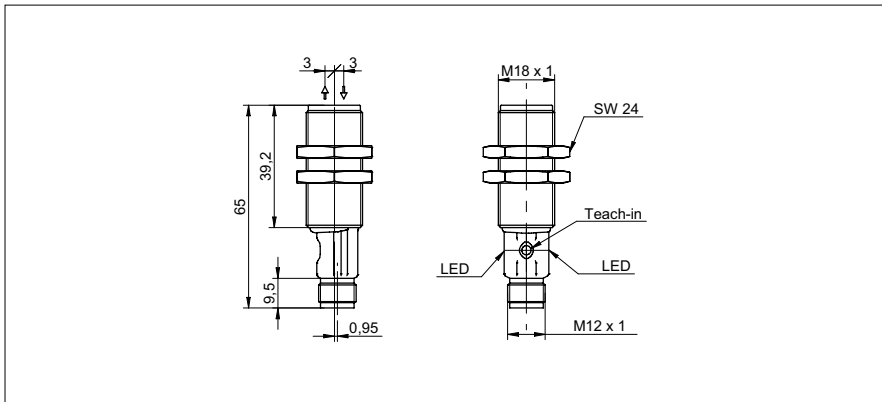


Diffuse sensors with background suppression

OR18.GP-11129323

dimension drawing



general data

type	background suppression
light source	pulsed PinPoint LED
sensing distance Tw	45 ... 200 mm
sensing range Tb	20 ... 200 mm
power on indication	LED green
light indicator	LED yellow
sensing distance adjustment	qTeach
wave length	630 nm
suppression of reciprocal influence	yes

electrical data

response time / release time	< 0,49 ms
voltage supply range +Vs	10 ... 30 VDC
current consumption max. (no load)	45 mA
current consumption typ.	30 mA
voltage drop Vd	< 3 VDC
output function	light / dark operate
output circuit	PNP complementary
output current	< 100 mA
short circuit protection	yes
reverse polarity protection	yes

mechanical data

width / diameter	18 mm
height / length	65 mm
type	cylindrical threaded
housing material	brass nickel plated
front (optics)	PA
connection types	connector M12 4 pin

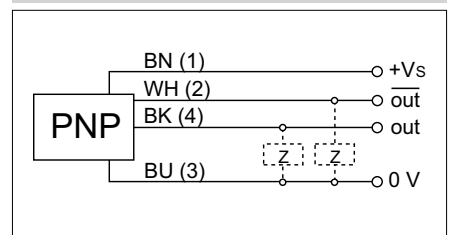
ambient conditions

operating temperature	-25 ... +60 °C
protection class	IP 67

photo



connection diagram



• qTeach