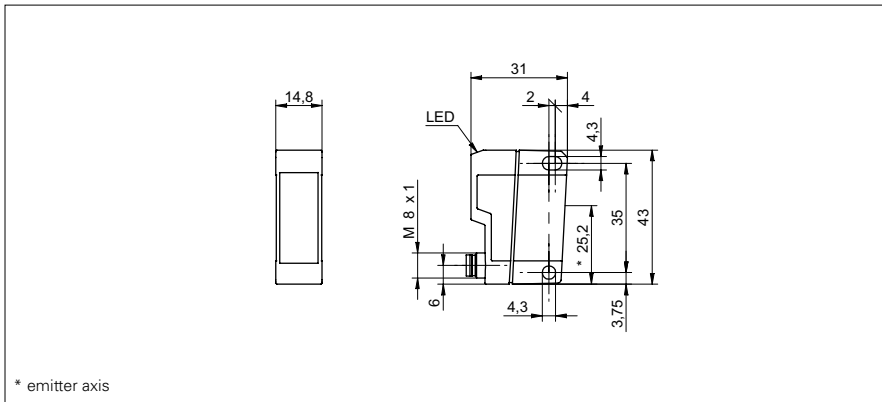


**Through beam sensors**

**OSDK 14D9001/S35A**

**dimension drawing**



**general data**

type	through beam laser sensor
emitter / receiver	emitter
light source	pulsed red laser diode
actual range $S_b$	8 m
nominal range $S_n$	10 m
power on indication	LED green
laser class	1
distance to focus	parallel beam
wave length	650 nm

**electrical data**

voltage supply range +Vs	10 ... 30 VDC
current consumption max. (no load)	35 mA
current consumption typ.	25 mA
reverse polarity protection	yes

**mechanical data**

width / diameter	14,8 mm
height / length	43 mm
depth	31 mm
type	rectangular
housing material	plastic (ASA, MABS)
front (optics)	PMMA
connection types	connector M8 4 pin

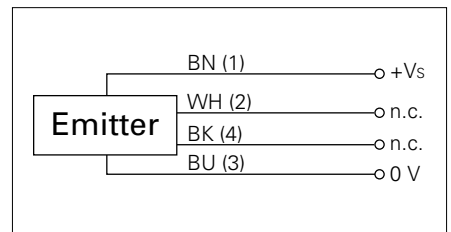
**ambient conditions**

operating temperature	10 ... +50 °C
protection class	IP 67

**photo**



**connection diagram**



**laser warning**

**CLASS 1 LASER PRODUCT**

Complies with 21 CFR 1040.10 and 1040.11 except for deviations pursuant to laser notice No. 50, dated June 24, 2007

