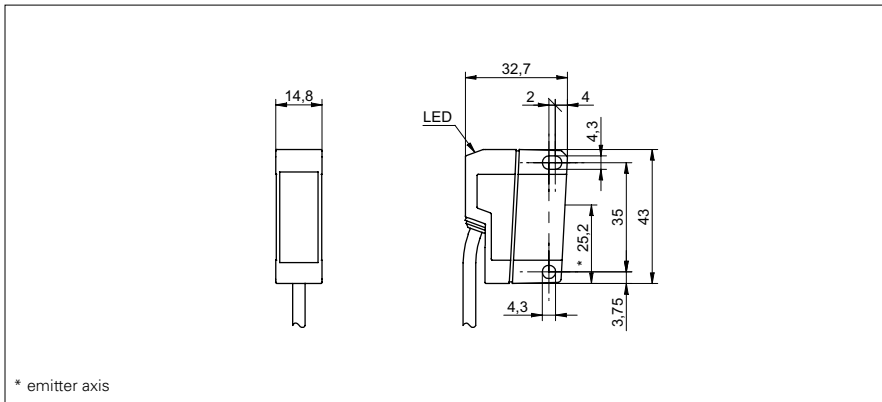


Through beam sensors

OSDK 14D9001

dimension drawing



general data

type	through beam laser sensor
emitter / receiver	emitter
light source	pulsed red laser diode
actual range S_b	8 m
nominal range S_n	10 m
power on indication	LED green
laser class	1
distance to focus	parallel beam
wave length	650 nm

electrical data

voltage supply range +Vs	10 ... 30 VDC
current consumption max. (no load)	35 mA
current consumption typ.	25 mA
reverse polarity protection	yes

mechanical data

width / diameter	14,8 mm
height / length	43 mm
depth	31 mm
type	rectangular
housing material	plastic (ASA, MABS)
front (optics)	PMMA
connection types	cable 4 pin, 2 m

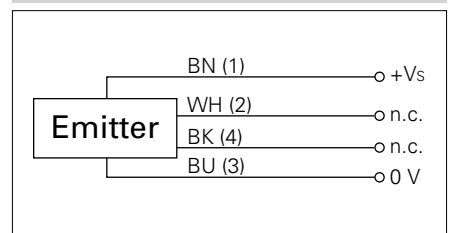
ambient conditions

operating temperature	10 ... +50 °C
protection class	IP 67

photo



connection diagram



laser warning

CLASS 1 LASER PRODUCT

Complies with 21 CFR 1040.10 and 1040.11 except for deviations pursuant to laser notice No. 50, dated June 24, 2007

