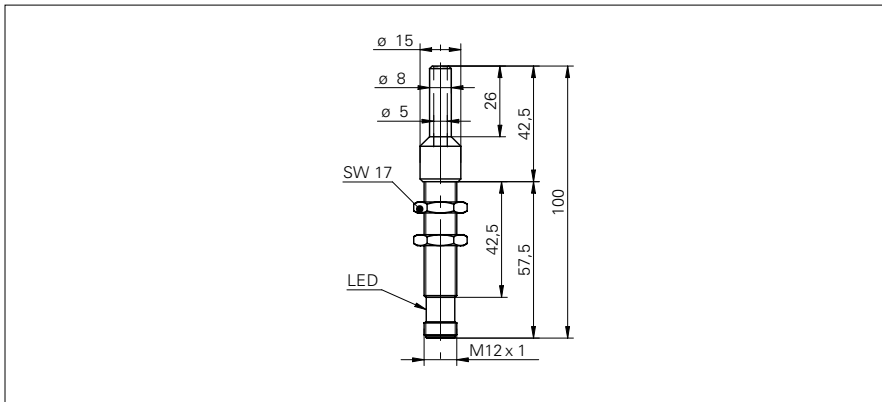


Ultrasonic proximity sensors

UNAM 12P1914/S14D

dimension drawing



general data

scanning range sd	5 ... 70 mm
scanning range far limit Sde	5 ... 70 mm
hysteresis typ.	4 % Sde
repeat accuracy	< 0,5 mm
temperature drift	< 0,18 % Sde/K
response time ton	< 10 ms
release time toff	< 10 ms
sonic frequency	380 kHz
adjustment	external Teach-in
alignment aid	target indication flashing
output indicator	LED green

electrical data

voltage supply range +Vs	12 ... 30 VDC
current consumption max. (no load)	35 mA
output circuit	PNP make function (NO)
output current	< 200 mA
voltage drop Vd	< 2 VDC
residual ripple	< 10 % Vs
short circuit protection	yes
reverse polarity protection	yes

mechanical data

type	cylindrical threaded
housing material	brass nickel plated
width / diameter	12 mm
height / length	100 mm
connection types	connector M12

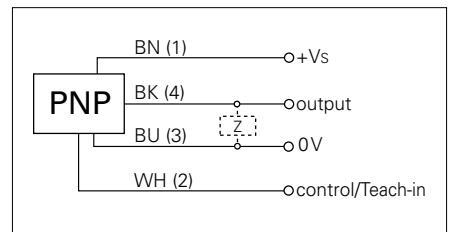
ambient conditions

operating temperature	0 ... +60 °C
protection class	IP 67

photo



connection diagram



- external Teach-in
- miniature housing