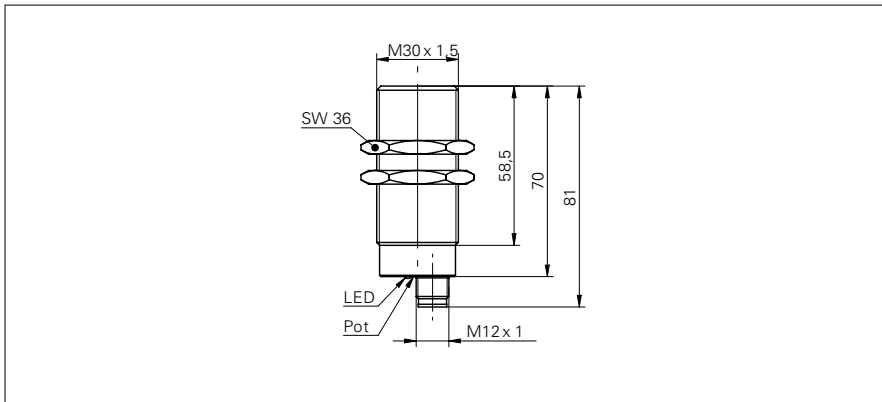


Ultrasonic proximity sensors

UNAM 30N3104/S14

dimension drawing



general data

| | |
|------------------------------|----------------------------|
| scanning range sd | 200 ... 1500 mm |
| scanning range far limit Sde | 200 ... 1500 mm |
| hysteresis typ. | 4 % Sde |
| repeat accuracy | < 1 mm |
| temperature drift | < 0,18 % Sde/K |
| response time ton | < 100 ms |
| release time toff | < 100 ms |
| sonic frequency | 200 kHz |
| adjustment | potentiometer |
| alignment aid | target indication flashing |
| output indicator | LED green |

electrical data

| | |
|------------------------------------|-------------------------|
| voltage supply range +Vs | 12 ... 30 VDC |
| current consumption max. (no load) | 30 mA |
| output circuit | NPN break function (NC) |
| output current | < 200 mA |
| voltage drop Vd | < 2 VDC |
| residual ripple | < 10 % Vs |
| short circuit protection | yes |
| reverse polarity protection | yes |

mechanical data

| | |
|------------------|----------------------|
| type | cylindrical threaded |
| housing material | brass nickel plated |
| width / diameter | 30 mm |
| height / length | 70 mm |
| connection types | connector M12 |

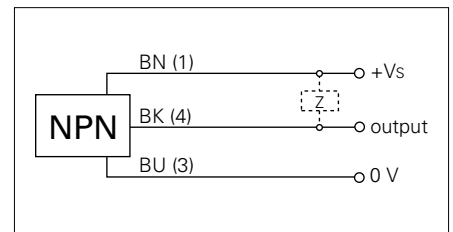
ambient conditions

| | |
|-----------------------|----------------|
| operating temperature | -25 ... +60 °C |
| protection class | IP 67 |

photo



connection diagram



- extended sensing distance